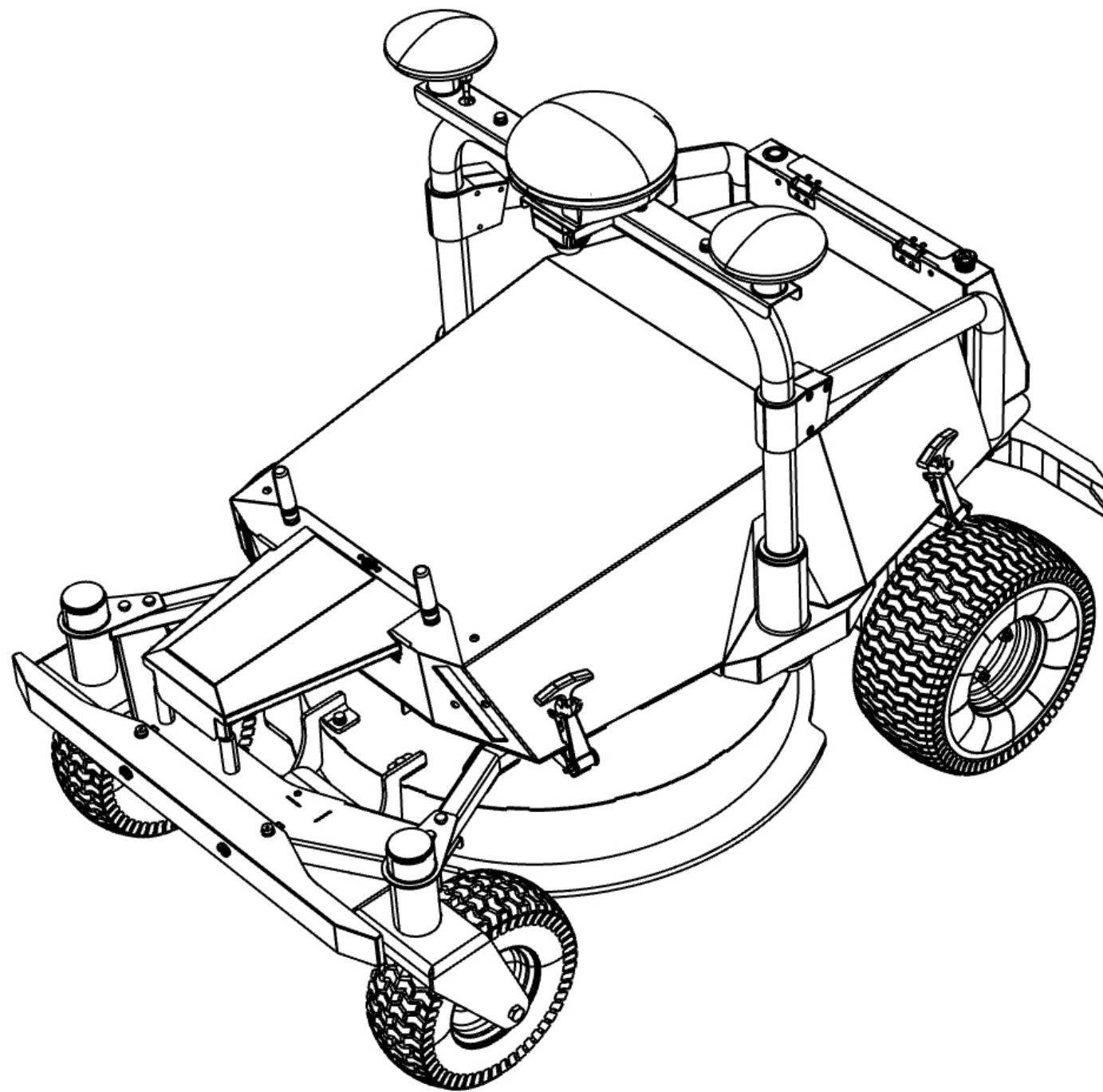


FJD-RM21

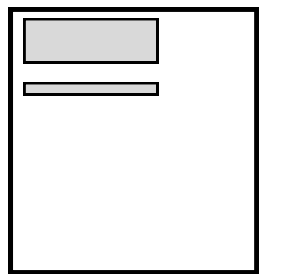
Quick Start Guide



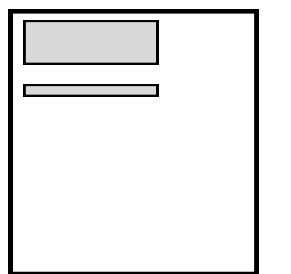
Download FJDynamics app



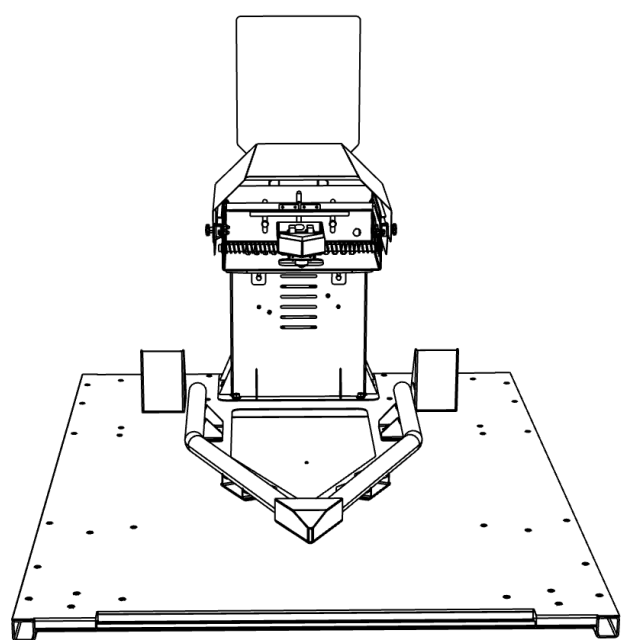
Autonomous Mower



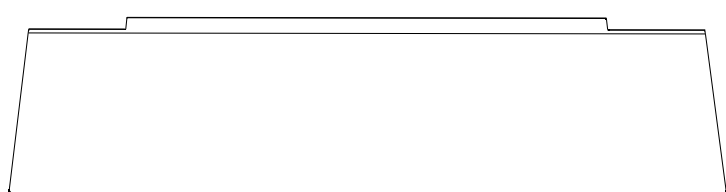
Certification



Warranty card

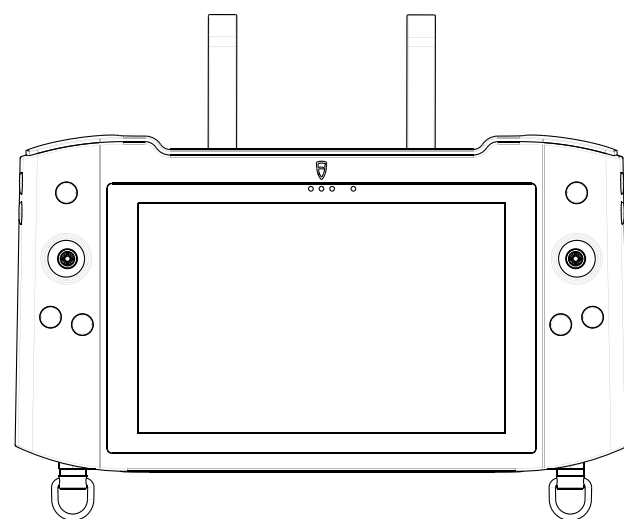


Charging pile

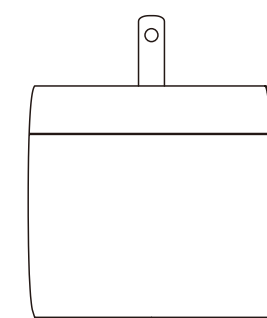


Base plate

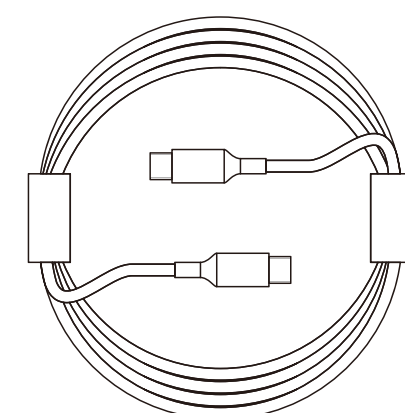
Controller assembly



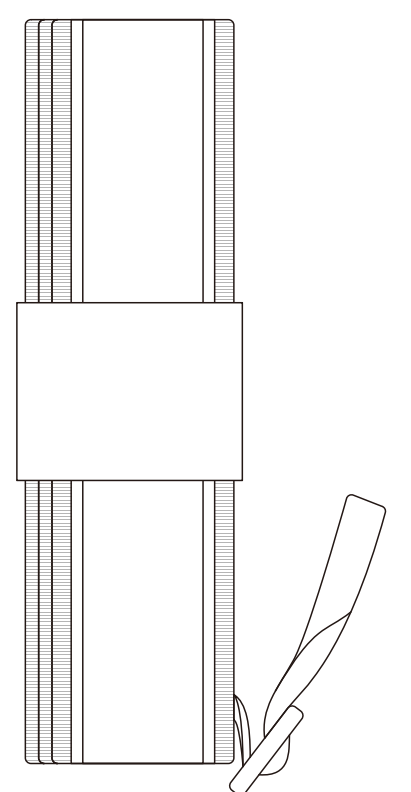
Controller



Power adapter



DC to USB-C cable



Shoulder strap

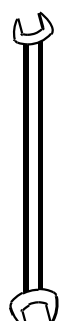


Ring screw for shoulder strap

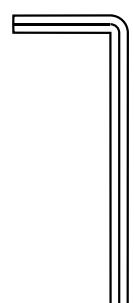


Joystick

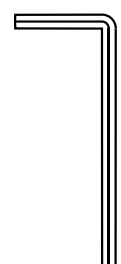
Universal tool kit



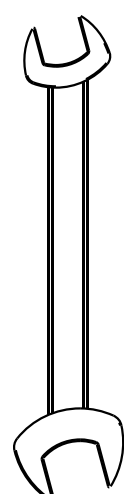
Open-end wrench 6×7



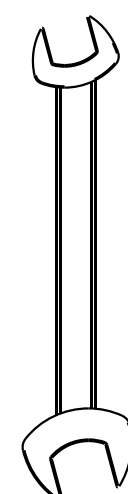
Hex wrench 5 mm



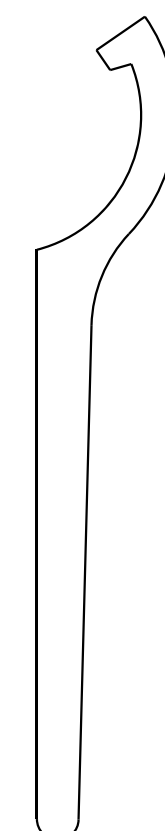
Hex wrench 4 mm



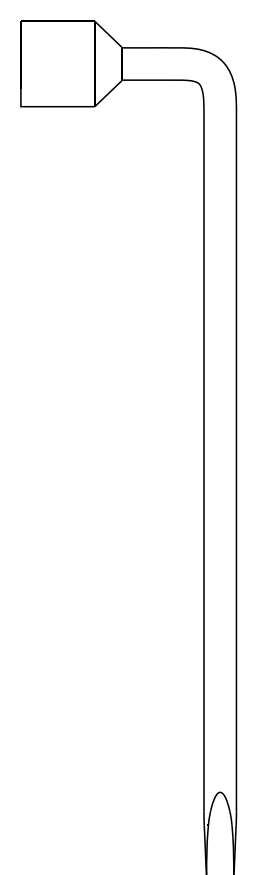
Open-end wrench 13×16



Open-end wrench 13×16



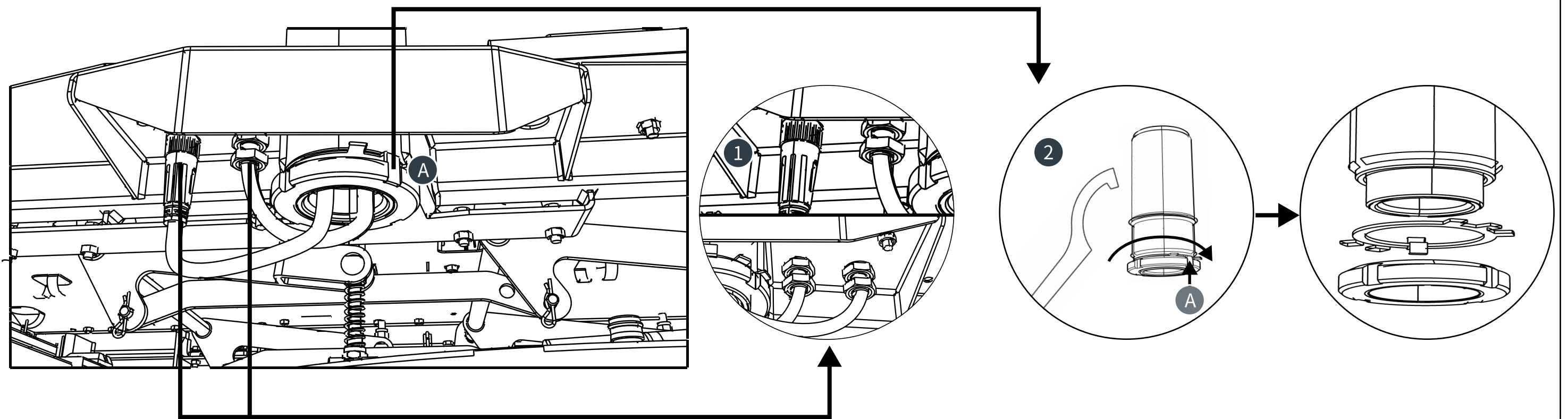
Hook wrench 68-80



L-type socket wrench 24 mm

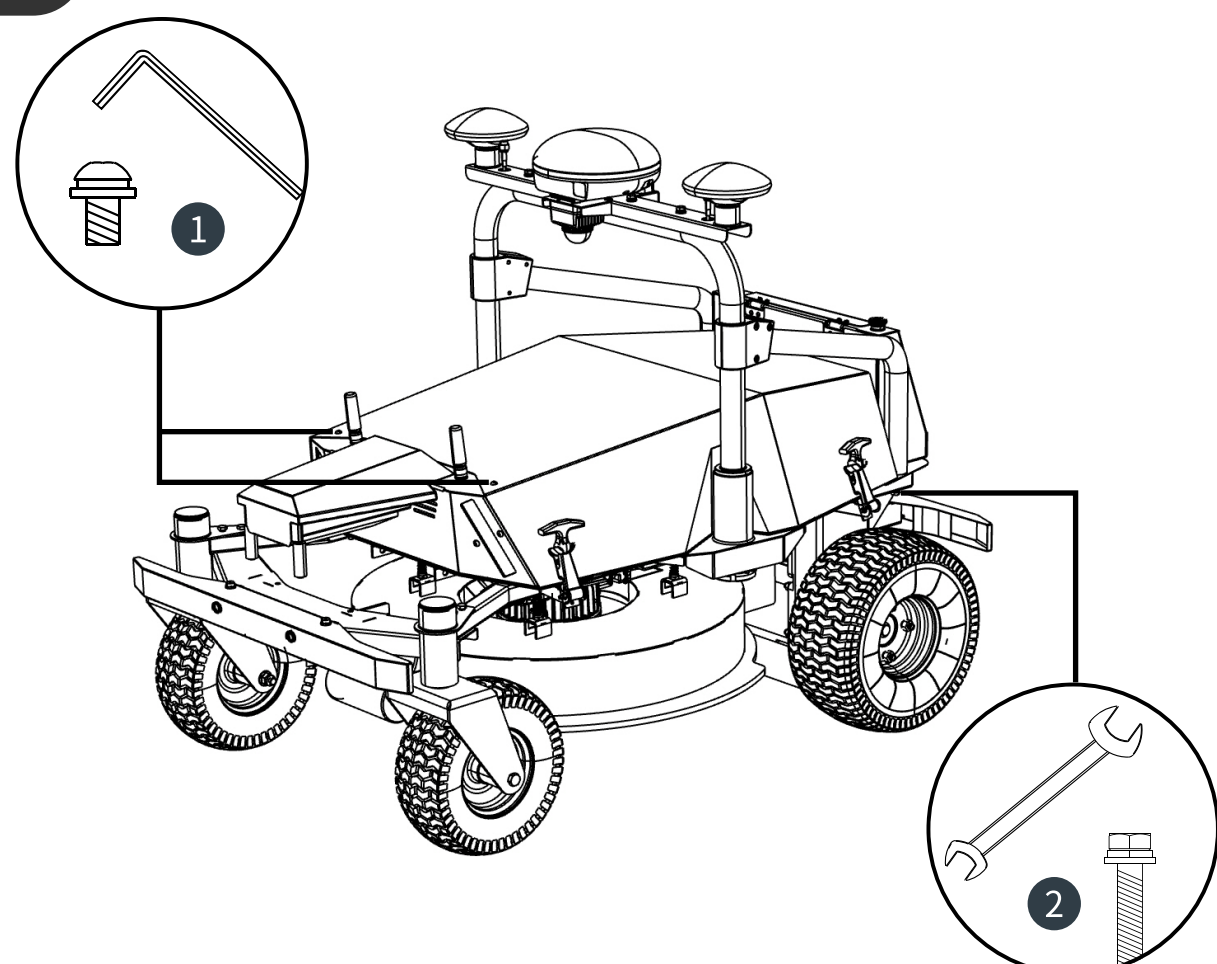
Install the Batteries

Step 1



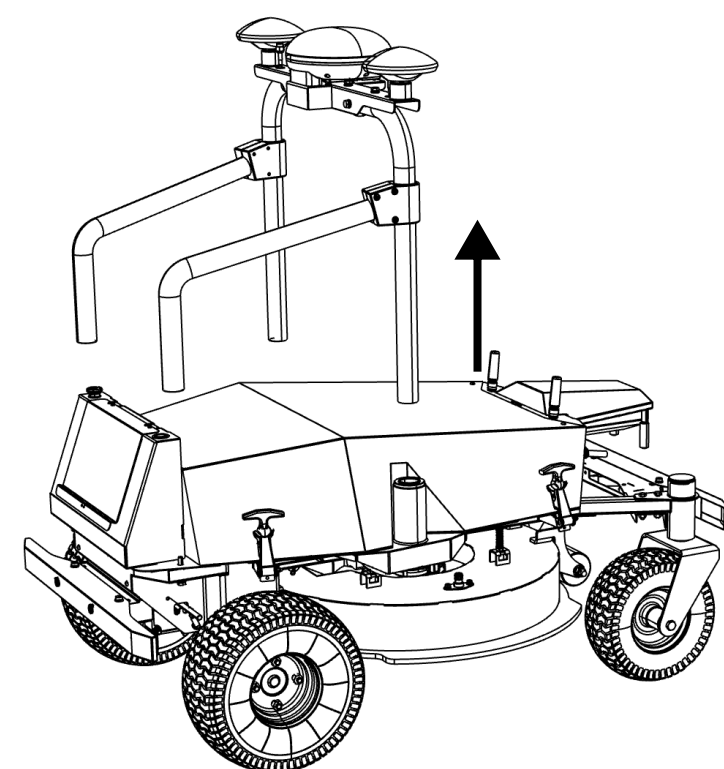
- 1 Disconnect cables from the bottom of the antenna bracket on both sides.
- 2 Pry the gasket at position A, and loosen the retaining ring with the hook wrench.

Step 2



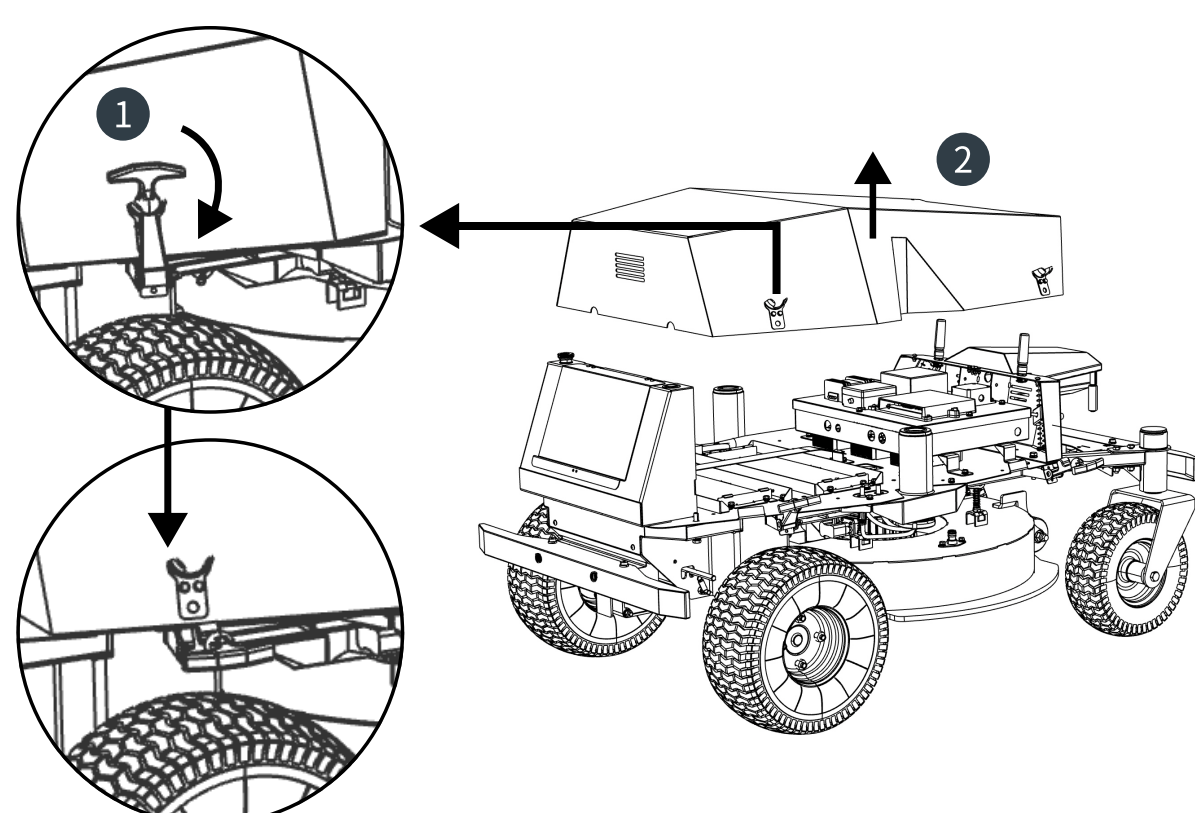
- 1 Remove screws from both sides of the shell.
- 2 Remove bolts from the bottom of the antenna bracket.

Step 3



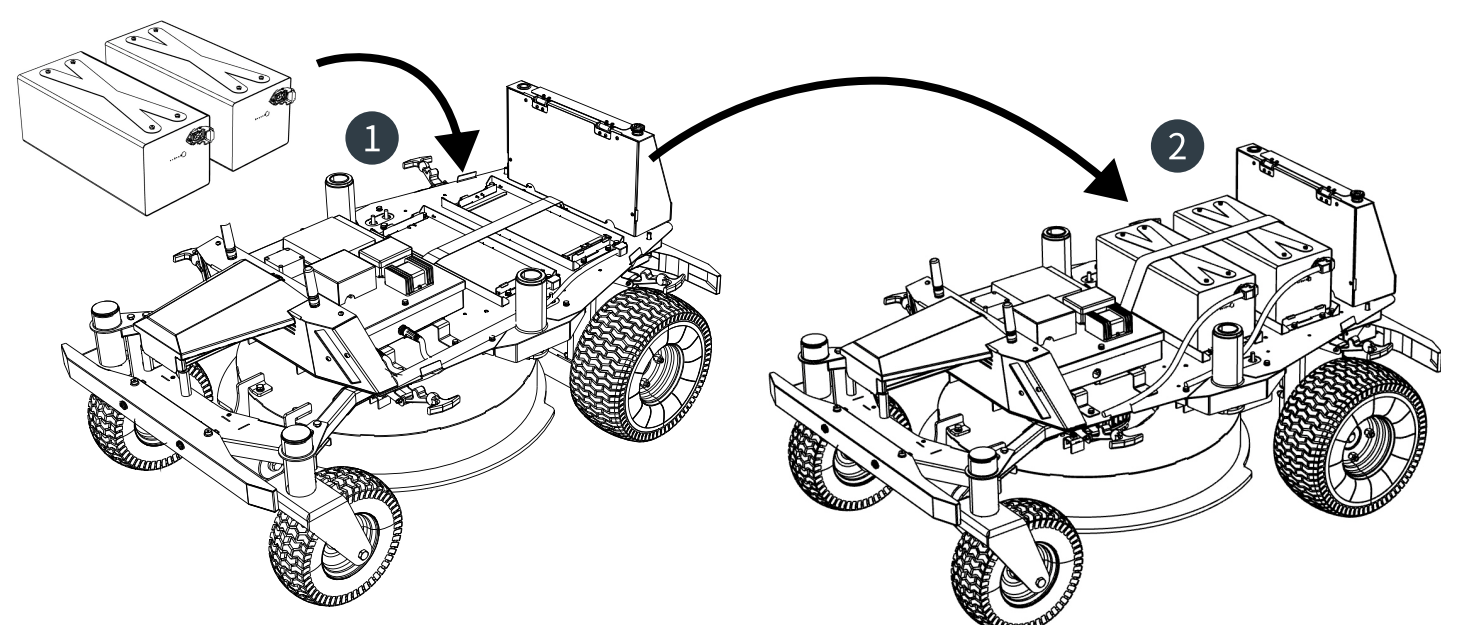
- Pull out the antenna bracket.
Note: Put aside the antenna bracket carefully to avoid any damage to devices.

Step 4



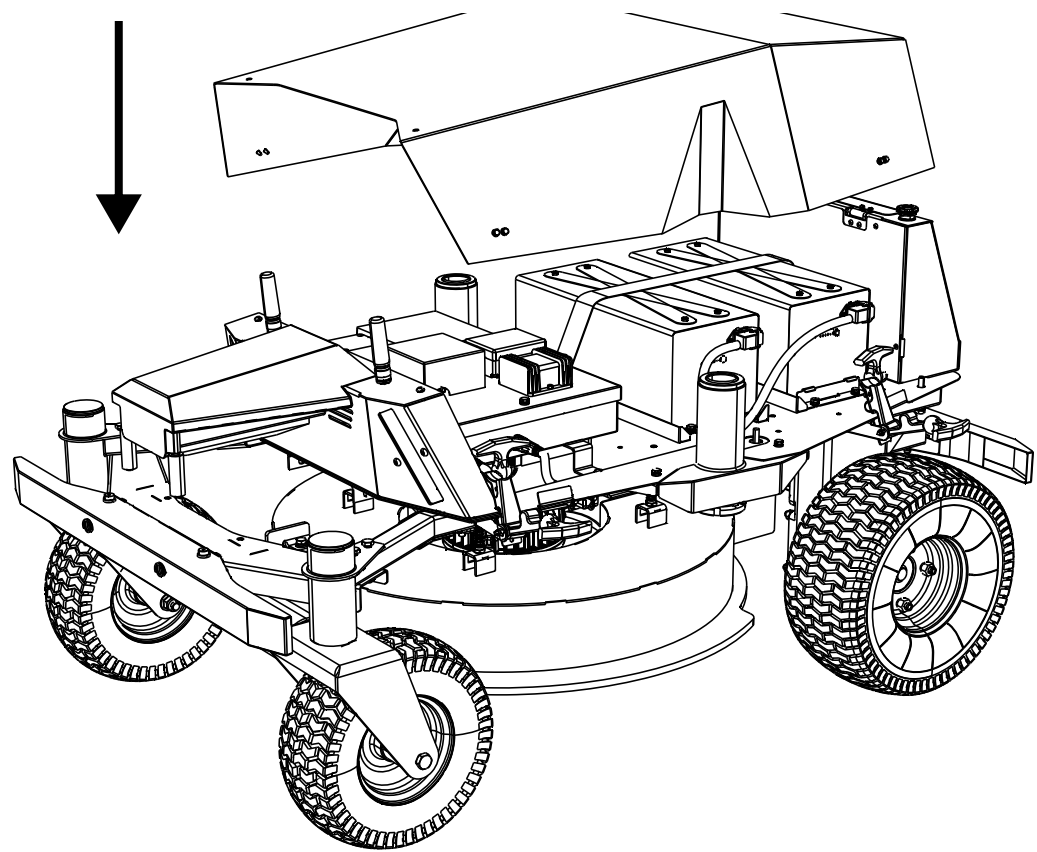
- 1 Open four T-locks on both sides of the shell.
- 2 Remove the shell.

Step 5



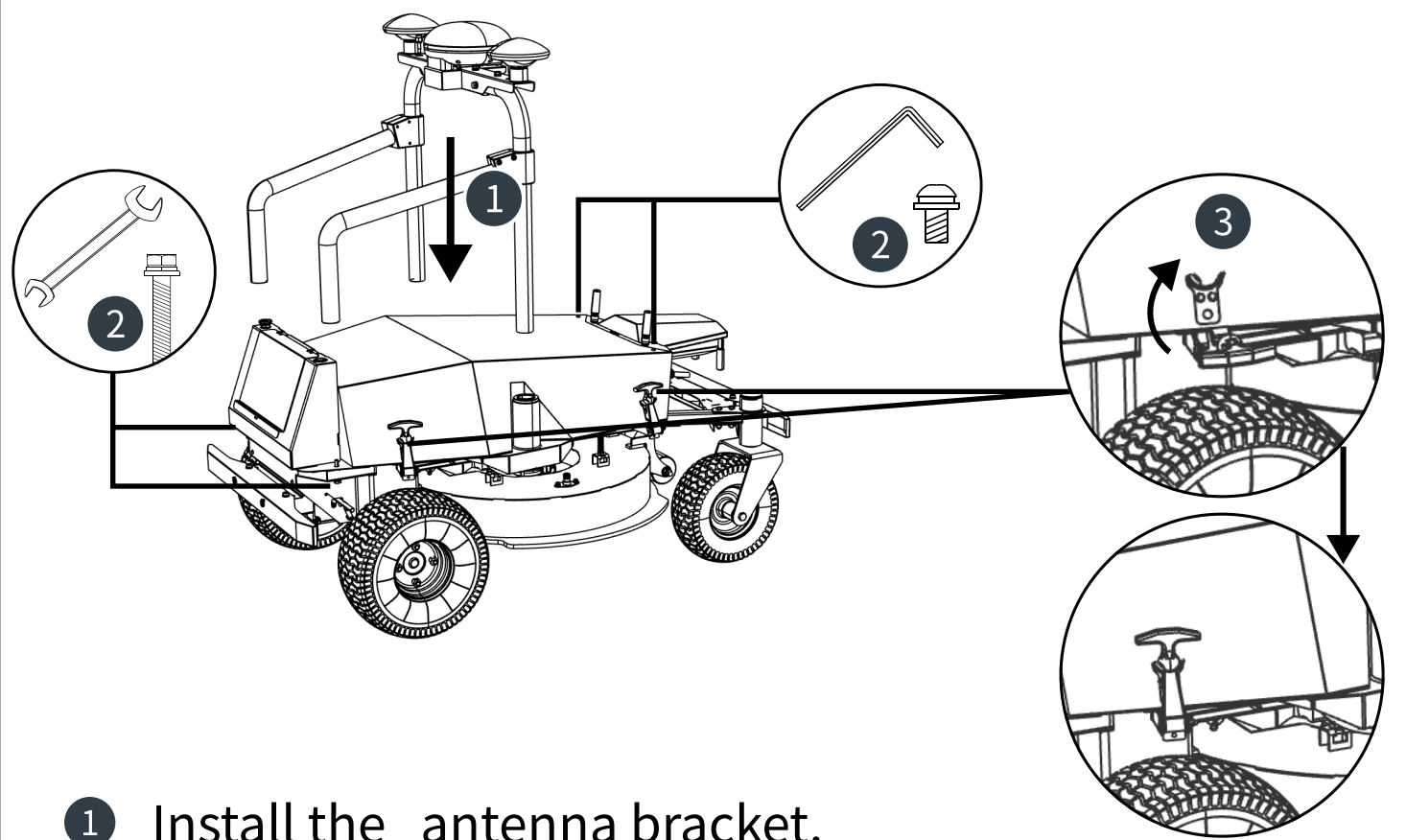
- 1 Put in the batteries.
- 2 Tie the elastic strap and connect the cables.

Step 6



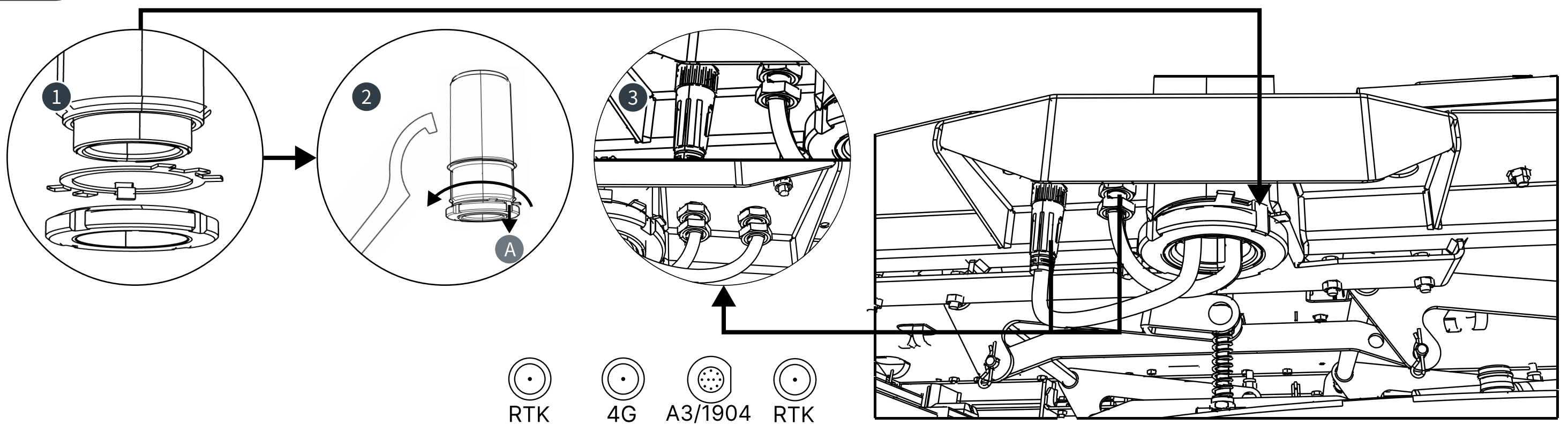
Ensure that the connections are firm before installing the shell.

Step 7



- 1 Install the antenna bracket.
- 2 Tighten the antenna bracket bolts and shell screws.
- 3 Close the T-locks.

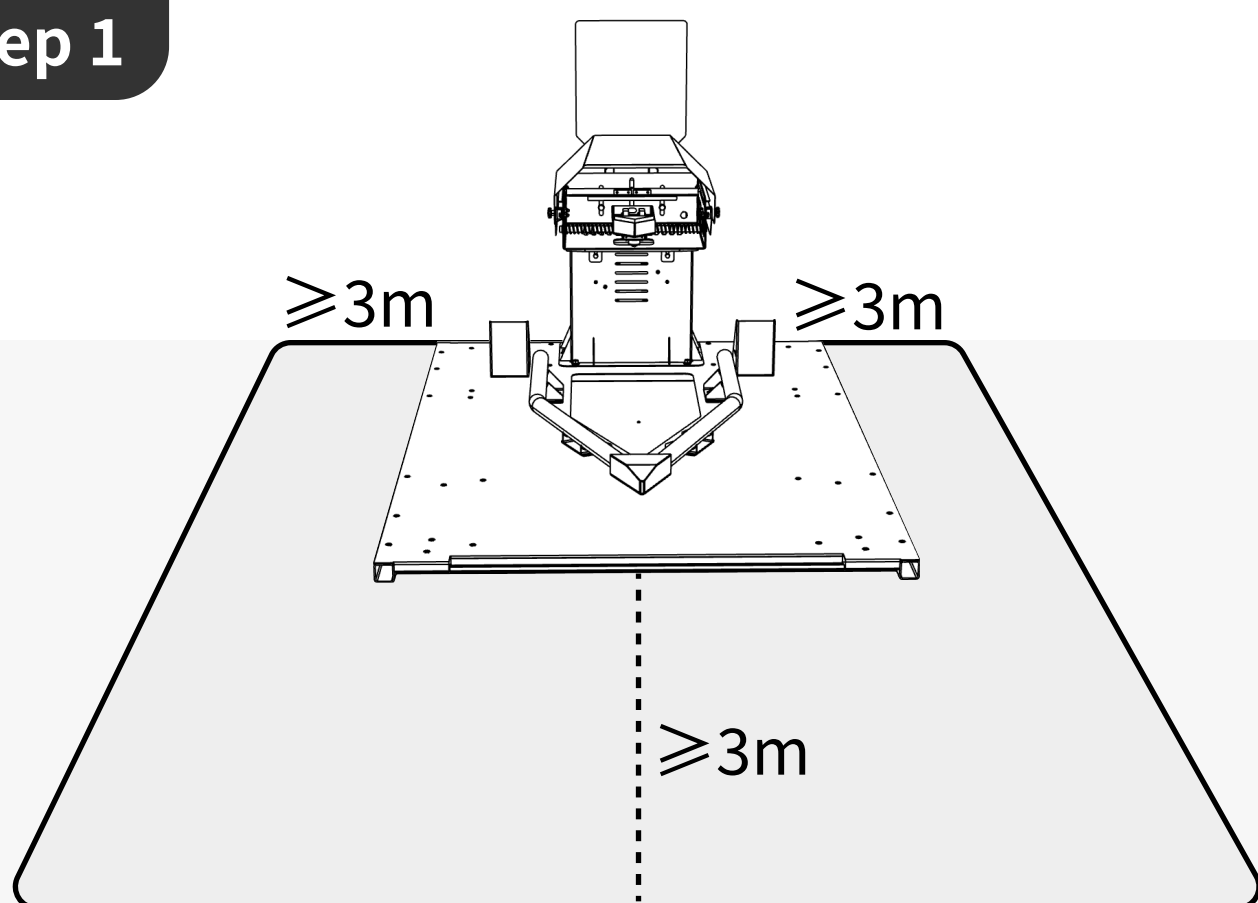
Step 8



- 1 Install the retaining rings and gaskets onto both sides of the bracket.
- 2 Press down the gasket at position A and tighten the retaining ring with the hook wrench.
- 3 Connect cables to the two RTK ports, the 4G port, and the A3/1904 port.

Install the Charging Pile

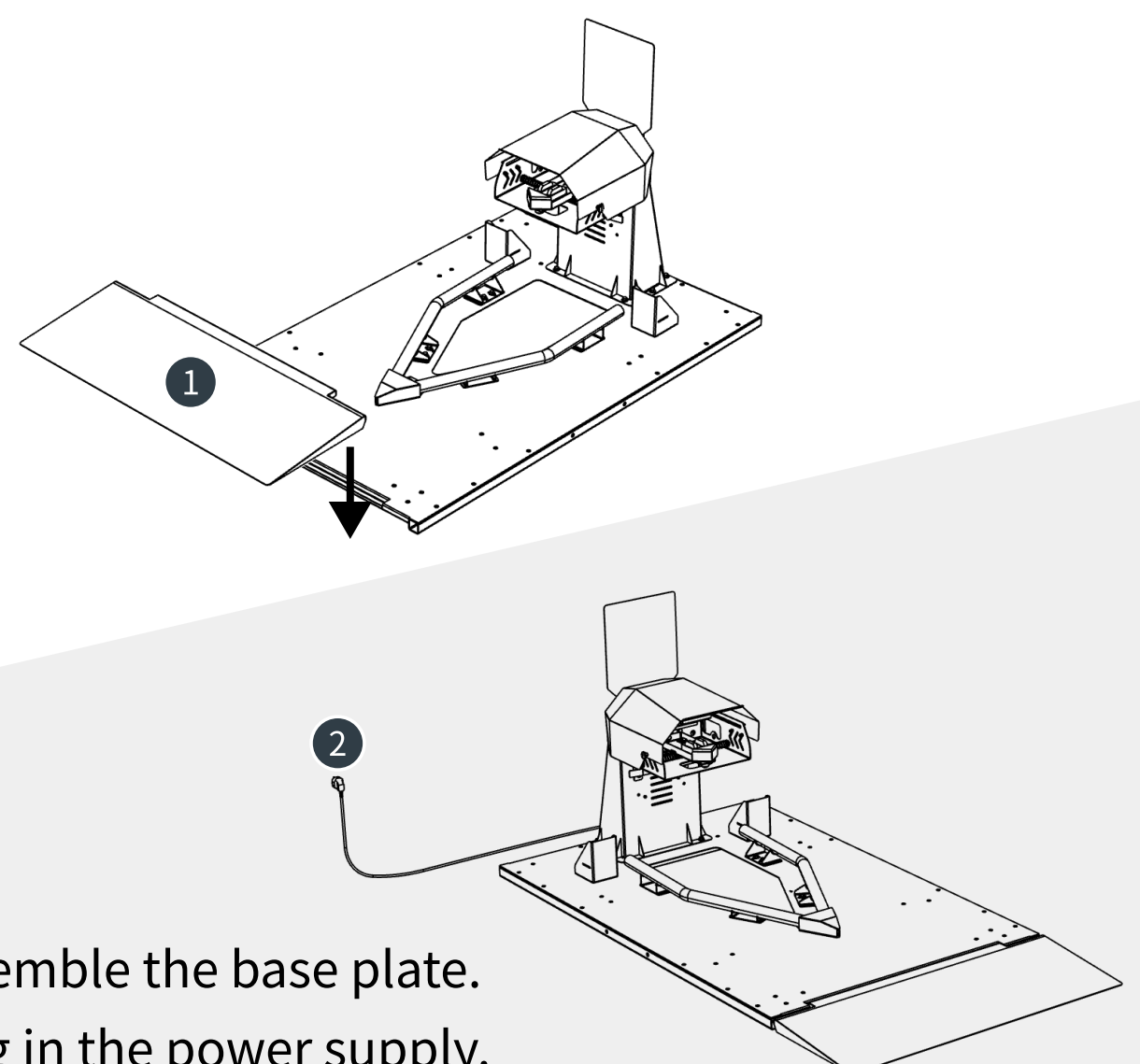
Step 1



Select the installation position:

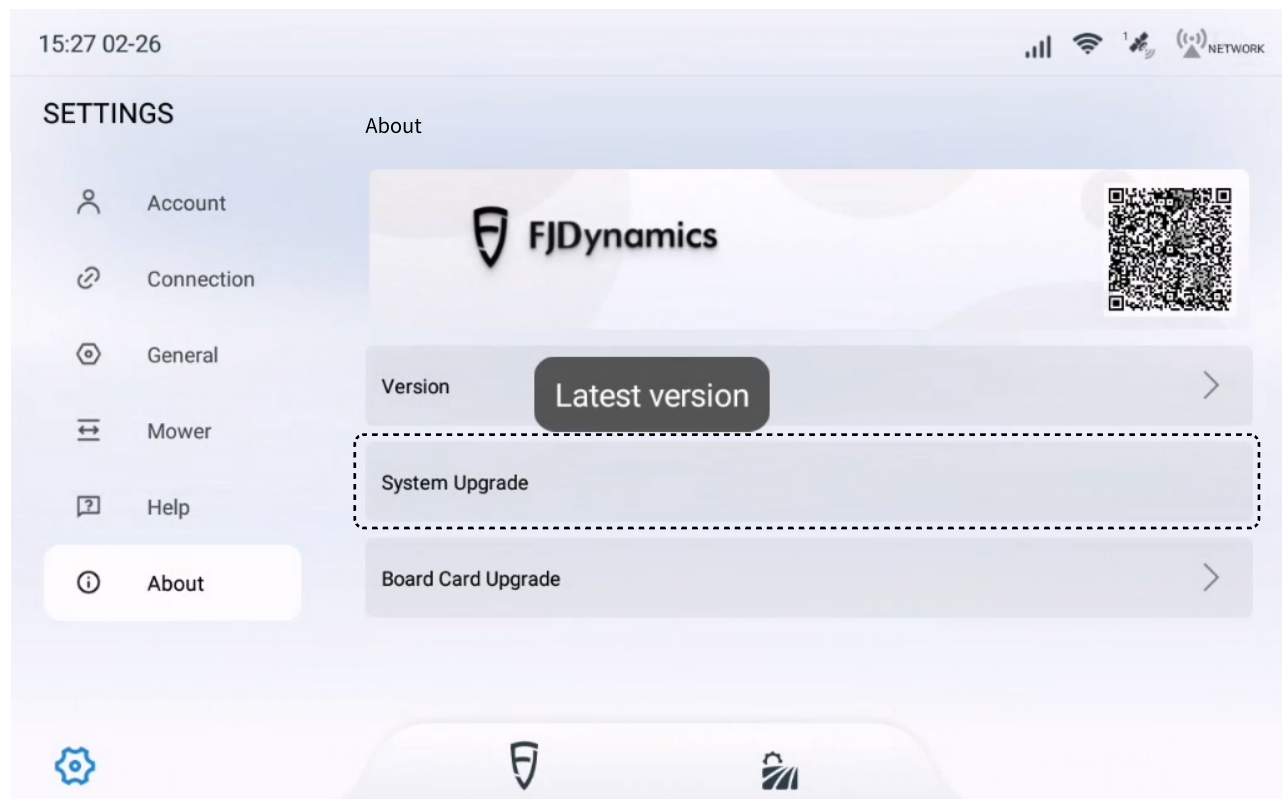
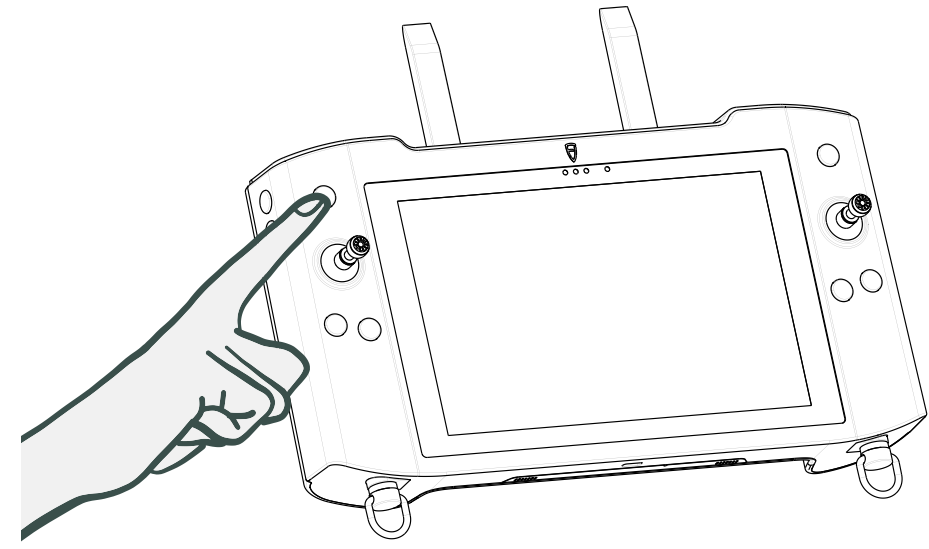
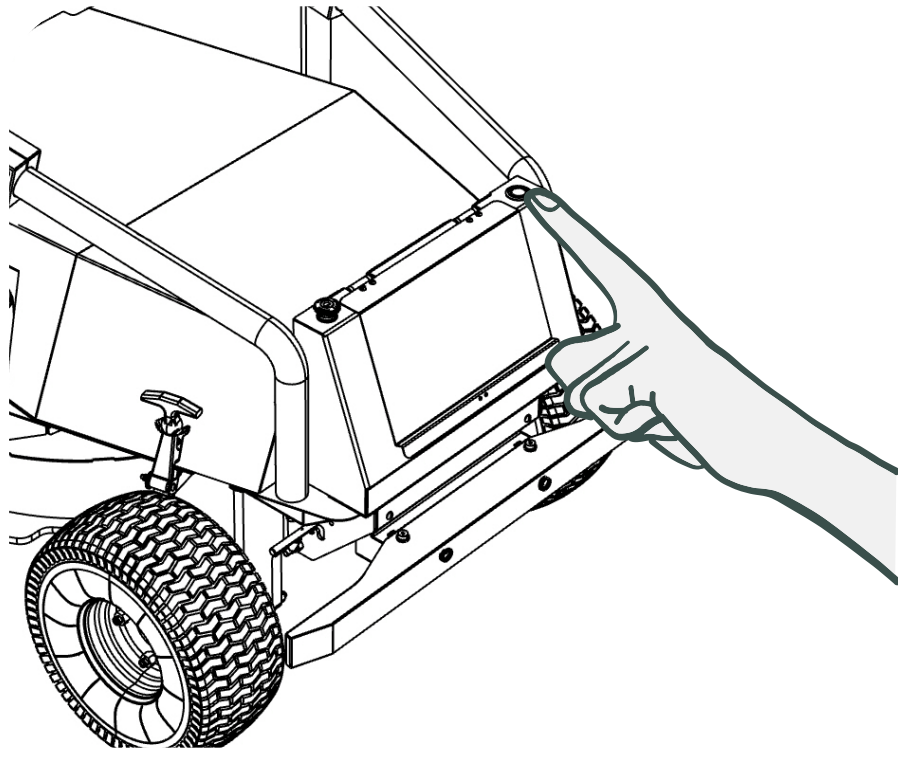
- Place the charging pile on level ground. Avoid uneven terrain and slopes.
- Ensure that there are no obstacles within 3 m around the charging pile.

Step 2

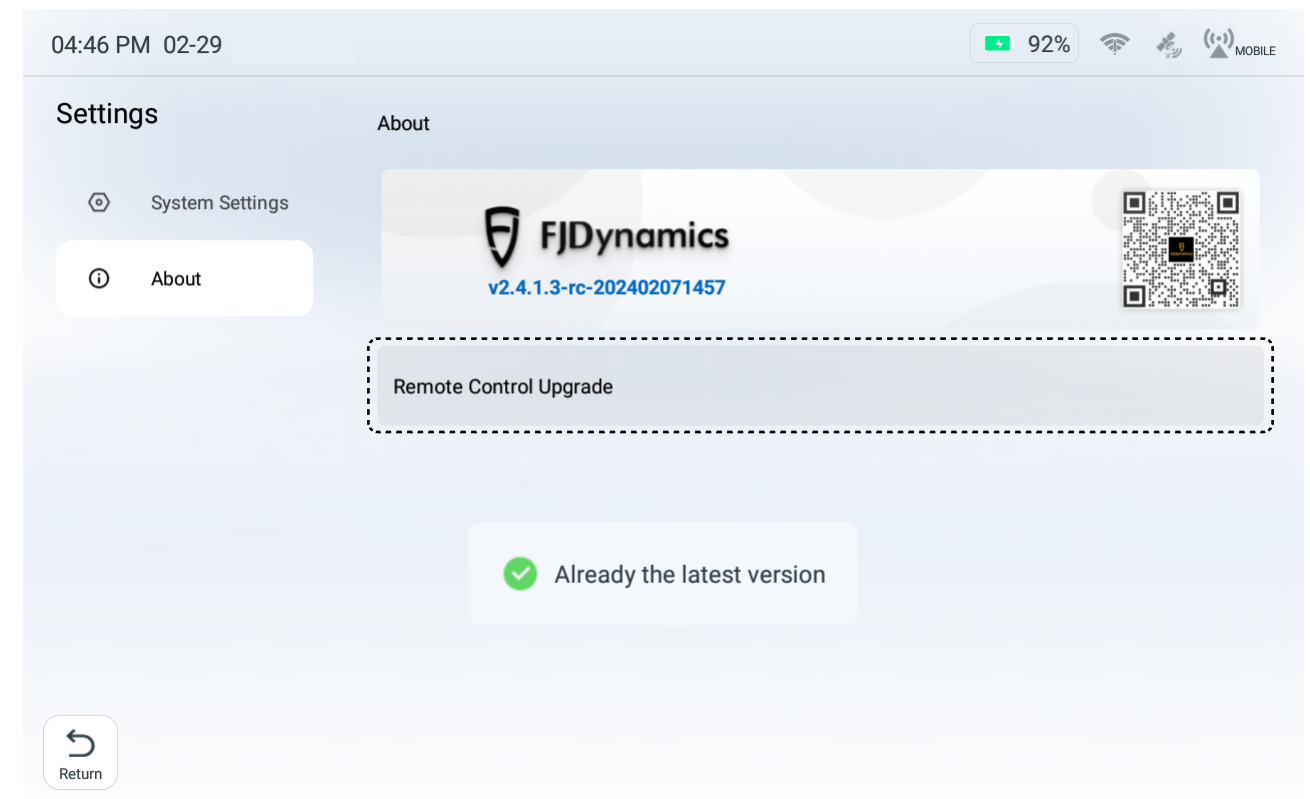


- 1 Assemble the base plate.
- 2 Plug in the power supply.

Update the Vehicle and Controller Software



- 1 Turn on the vehicle. Choose SETTINGS > About, and tap System Upgrade. Perform the update when a new version is available.



- 2 Turn on the controller. Choose Settings > About, and tap Remote Control Upgrade. Perform the update when a new version is available.