


(EN)RCM01 Robotic Cylinder Mower User Manual V1.1



RCM01 medium-sized cylinder mower User Manual

		2026.2.25 Rev. 1.1
--	---	----------------------

© 2026 Fjdynamics. All Rights Reserved.

Copyright Notice:



FJDynamics reserves the copyright for this guide and all content herein. No part of this guide may be reproduced, extracted, reused, and/or reprinted in any form or by any means without the prior written permission of FJDynamics.

This guide is subject to change without notice.

Revision History:

Version	Date	Revised content
1.0	2025.1 2	Initial Version
1.1	2026.0 2	Second edition


Read Before Use:

 	<p>Please operate strictly according to this user manual!</p> <p>Improper use may lead to equipment damage and performance degradation;</p> <p>If you encounter any issues during use, please contact service personnel promptly.</p>
--	--

Disclaimer:



- The products, services or features you purchase are subject to commercial contracts and terms. Some products, services or features mentioned in this manual may not be within the scope of your purchase or use. Unless otherwise provided in the contract, Fengjiang Intelligence makes no express or implied statements about the content of this manual.
- This manual may be updated due to product upgrades or other reasons. Fengjiang Intelligent reserves the right to modify this manual without further notice.
- This manual is only for use guidance. Fengjiang Intelligence has made every effort to ensure the accuracy and reliability of the information in this manual, but cannot guarantee that there are no errors or omissions. All information in this manual does not constitute any express or implied warranty.


Safety Tips


	<p>This symbol indicates important safety instructions. Failure to follow these instructions may endanger the personal safety or property safety of operators and other personnel. Before attempting to operate the lawnmower, please read and understand all instructions in this manual.</p>
---	--


Evaluate the risks associated with this product based on the following signal words

Signal Word	Signal word	Explanation

	Danger	Indicates an urgent and dangerous situation that, if not avoided, could result in death or serious injury.
	Warning	Indicates a potentially dangerous situation that, if not avoided, could result in death or serious injury.
	Notice	(No safety warning symbol) indicates situations that may cause property damage.

 Warning	Before using this machine, please be sure to read and understand all safety instructions in this manual, including safety warning symbols. If you do not understand the warnings and instructions in this manual, do not use this product. This machine is only for use by personnel who have read, understood, and complied with the safety signs printed on this manual and the lawn mower, and meet the age requirements of local regulations.
---	---

 Warning	When using this machine, always follow basic safety precautions to reduce the risk of explosion, electric shock, fire, and other serious personal injury.
---	---

 Warning	People wearing electronic medical devices such as pacemakers should consult a doctor before using this product. Operating electrical equipment near a pacemaker may cause pacemaker interference or malfunction.
---	--

- Read, understand, and comply with all instructions and warnings in this manual before attempting to assemble and operate the equipment.
- Familiarize yourself with all control devices and their correct operation, know how to quickly stop the equipment, and disconnect all control devices.
- Never allow children or untrained adults to operate or repair this equipment.
- Be aware that local regulations may restrict the age of operators; please comply with the age requirements set by local laws.
- If situations arise that are not covered in this manual, exercise caution and contact customer service for assistance.

1. Overview

1.1 User Notice

The purpose of this instruction manual is to assist the owner and operator in maintaining and operating the lawn mower. Please read the instruction manual carefully. The information and instructions provided in this instruction manual can help you obtain reliable Computer Performance. The owner should ensure that the operator and mechanic read and understand this instruction manual. Before operating the machine, please read the instruction manual and all safety signs. The owner should ensure that the operator and mechanic are qualified and capable of operating this equipment. Mechanics of all sellers must be familiar with the safe operation methods of this equipment. Do not allow children or untrained personnel to operate or repair this equipment. Please note that local regulations may limit the age of operators.

1.2 Instructions for use

This manual is applicable to the FJD RCM01 series and provides users with an overview of the basic operation, installation, adjustment, and maintenance guidelines for lawn mowers. Due to significant differences in operating conditions, this manual cannot cover all situations. Unless otherwise specified, the descriptions of "right" and "left" in this manual refer to the direction in which the operator stands with their back to the front of the lawn mower. The photos and illustrations used in this manual are the latest versions at the time of printing, but the actual situation of the machine may be slightly different due to subsequent production adjustments. Fengjiang Intelligent Technology Joint Stock Company (hereinafter referred to as "Fengjiang Intelligent") reserves the right to redesign and modify the machine as needed without prior notice. If you find any changes to the machine that are not mentioned in the manual, please consult the Fengjiang Intelligent Product dealer to obtain the latest information on the current parts.

1.3 Intended use of the product

This 48V smart lawn mower is only used for mowing.

1.4 General information

1. Before assembling and operating the equipment, please read, understand and strictly follow all the instructions and warnings in this manual. Please keep this manual properly for easy reference.
2. Please be sure to be familiar with all the control devices and their correct operation methods, and master the way to quickly stop the operation of the equipment and disconnect the control devices.
3. It is strictly prohibited for children or untrained personnel to operate or maintain this equipment. Please note that local regulations may have age restrictions for operators.

Please strictly abide by the age requirements stipulated by relevant laws and regulations.

4. If you encounter any situation not covered by this manual, please be cautious, avoid blind operation, and contact the after-sales service for professional help in time.

1.5 Equipment modification

If you need to improve the performance of the equipment, users can contact Fengjiang Intelligence for official modification. Please do not change the product configuration by yourself, otherwise you will not be able to make any legal claims for the modified product based on the content of this manual. Only original parts can be used during modification, and using other parts will result in warranty invalidation. Without the permission of Fengjiang Intelligence, please do not install non-standard devices on the equipment to avoid danger or equipment damage.

1.6 Maintenance service

1.6.1 Warranty card

The owner must register the equipment by filling out the "Warranty Registration Form" provided in the packaging. As a new equipment owner, when using the "Warranty Registration Form", it must be filled out and signed by both the authorized dealer and the original purchaser.

2. General safety warning for power tools

2.1 Safety in the workplace

- Keep the workplace clean and bright. Cluttered and dim environments are prone to accidents.
- It is forbidden to operate power tools in explosive environments such as flammable liquids, gases, or dust. Sparks generated by the operation of power tools may ignite these flammable substances and cause danger.
- When operating power tools, ensure that children and bystanders stay away from the work area. Distracted attention may lead to an inability to effectively control the tools, resulting in accidents.



Please read all safety warnings, instructions, diagrams, and regulations provided with power tools. Failure to follow the instructions listed below may result in electric shock, fire, or serious injury.

Save all warnings and instructions for future reference.

The "power tool" in the warning refers to a mains-powered (wired) power tool or a battery-powered (wireless) power tool.

2.2 Electrical safety

- Power tool plugs must match sockets, and any modification of plugs is strictly prohibited. Power tools that need to be grounded are prohibited from using adapter plugs. Using original plugs and adapted sockets can reduce the risk of electric shock.
- Avoid physical contact with grounded objects such as pipes, heat sinks, refrigerators, etc. during operation. Grounding the body will increase the risk of electric shock.
- Do not expose power tools to rain or damp environments, as water ingress can cause electric shock hazards.
- It is strictly prohibited to abuse wires. Do not directly lift, drag power tools or unplug plugs through wires. Ensure that wires are kept away from heat sources, oil stains, sharp edges and moving parts. Damaged or tangled wires will significantly increase the risk of electric shock.
- When using power tools outdoors, be sure to use extension cords that meet outdoor standards. Compliance cords can effectively reduce the risk of electric shock.
- If operation in a humid environment cannot be avoided, a power supply protected by a residual current device (RCD) must be used, which can significantly reduce the risk of electric shock.

2.3 Specification for the use of power tools

- When operating power tools, stay alert, focus on the current operation, and follow basic common sense. Do not operate power tools when you feel tired, or under the influence of drugs, alcohol, or drugs. Momentary negligence in operating power tools can lead to serious personal injury.
- Use personal protective equipment. Always wear protective goggles. Using protective devices such as dust masks, non-slip shoes, hard hats, or hearing protection devices under appropriate conditions can reduce personal injury.
- Prevent accidental starting. Make sure the switch is in the OFF position before connecting the power and/or battery pack, picking up or handling tools.
- When moving tools, placing your finger on the switch or charging while the switch is on can cause accidents.
- Remove all adjustable hexagon wrenches or removable wrenches before starting the power tool. Removable wrenches or hexagon wrenches left on the rotating parts of the power tool can cause personal injury.
- Do not stretch your arms too far. Always stand firm and maintain body balance. This can better control power tools in case of accidents.
- Dress code. Do not wear loose clothing or accessories. Ensure that hair and clothing are kept away from moving parts. Loose clothing, accessories, or long hair may be involved in moving parts.
- If there is a connection device for vacuuming and dust collection equipment, ensure

that it is properly connected and used. The use of dust collection equipment can reduce dust-related hazards.

- Please do not take the safety guidelines of tools lightly due to frequent use and familiarity with them. Any negligence may cause serious injury in an instant.

2.4 The use and precautions of power tools

- Do not abuse power tools, be sure to choose the appropriate tool according to the purpose of use. Operating according to rated parameters can ensure efficient and safe operation of the tool.
- It is strictly prohibited to use power tools with malfunctioning switches. Tools that cannot be controlled normally through switches pose a great safety hazard and must be repaired immediately.
- Before adjusting, replacing accessories, or storing power tools, be sure to disconnect the power supply and remove the removable battery pack. This preventive measure can effectively prevent the tool from accidentally starting.
- Idle power tools should be stored out of reach of children, and personnel who are not familiar with the tools and operating instructions are prohibited from using them. Untrained operation of power tools can easily cause danger.
- Regularly maintain power tools and their accessories, check whether the moving parts are misplaced or stuck, whether the parts are damaged or have other conditions that affect operation. If damage is found, it needs to be repaired before use. Many accidents are caused by improper tool maintenance.
- Keep the cutting tools sharp and clean. Well-maintained sharp tools are not easy to get stuck and are easier to control.
- Strictly follow these instructions and use power tools, accessories, and blades correctly in conjunction with the work environment and content. Using tools for unintended purposes may cause danger.
- Ensure that the grip area is dry, clean, and free of grease during operation. Wet or greasy grip surfaces can affect the safe operation and control of tools, increasing the risk of accidents.

2.5 Use and precautions for battery tools

- Only use the charger specified by the manufacturer for charging. Using a charger that is compatible with a certain type of battery pack for other battery packs may cause a fire.
- Be sure to use a dedicated battery pack for power tools. Using a mismatched battery pack may result in personal injury or fire accidents.
- Idle battery packs should be kept away from metal objects such as paper clips, coins,

keys, nails, and screws. These objects may short-circuit the positive and negative electrodes of the battery pack, which can cause burns or fires.

- Improper use of batteries may cause liquid leakage. Avoid contact with leaking liquids. If accidentally touched, immediately rinse with plenty of water. If liquid enters the eyes, seek medical attention immediately. Liquid leaked from batteries is corrosive and may cause irritation or burns.
- Do not use damaged or modified battery packs and tools. Such batteries have unstable performance and may cause fires, explosions, or personal injury.
- Do not place the battery pack or tools in a fire or high temperature environment. Exposure to open flames or temperatures above 130 ° C can cause an explosion.
- Strictly follow the charging instructions and do not charge the battery pack or tool outside the specified temperature range. Improper charging or abnormal temperature may damage the battery and increase the risk of fire.

2.6 Maintenance

- Power tools must be repaired by qualified maintenance personnel using the same spare parts. This can maintain the safety of power tools.
- Do not repair a damaged battery pack yourself. The battery pack should be repaired by the manufacturer or an authorized service provider.

3. Notes

3.1 Operator Instructions

- When using the machine, approved personal protective equipment must be used, including at least safety helmets, eye and hearing protection devices, compliant tooling, safety shoes, etc. Personal protective equipment cannot eliminate the risk of injury, but if an accident occurs, it can reduce the degree of injury.
- Only responsible, trained, familiar with the instructions, and physically healthy personnel are allowed to operate the machine.
- Do not wear clothing with safety hazards such as scarves, loose clothing, shorts, and open-toed shoes to cut grass, in order to avoid being caught by components during machine operation. Do not use the machine barefoot.
- When operating a lawnmower in a dusty environment, always wear a full face mask or dust mask.
- Always wear gloves when handling the cylinder and confirm that the equipment is turned off or the physical emergency stop button is pressed.
- When operating the machine, use ear protectors to avoid hearing loss. Do not use the radio or wear music headphones.
- To ensure safe operation, the operator needs to be attentive, focused on the mowing

task, always keeping an eye on your destination, and paying attention to the surrounding environment.

- Observe the equipment carefully and be aware of any possible anomalies.
- Make sure there are emergency equipment nearby when using the machine.
- Do not operate the lawnmower when tired.
- Do not operate a lawnmower when under the influence of drugs, alcohol, or other substances.

3.2 Lawn mower operation

- Read, understand, and follow all the content on the machine and in the instructions before starting the operation.
- It is recommended that you inform the relevant personnel that you are mowing the lawn so that they can provide assistance in case of injury or accident.
- Personnel who operate, maintain, and repair this machine must first read and understand this manual. Comply with the user age requirements stipulated by local laws. The machine owner has the obligation to train personnel who use this machine.
- The owner and operator of this machine should prevent accidents and be responsible for accidents or injuries to themselves, others, or property.
- Do not place your hands or feet near rotating parts or under the machine, and always stay away from the grass discharge port.
- Make sure there are no bystanders or animals in the area before operation. If anyone enters the area, please stop the equipment.
- Do not mow in reverse unless absolutely necessary. When using the remote control to operate the lawnmower, pay attention to the direction of operation and the surrounding environment.
- Do not operate the equipment without complete safety devices installed or with damaged safety devices.
- Do not operate poorly maintained equipment.
- Please slow down before turning.
- Do not attempt high-speed handling, especially in crowded areas or on slopes.
- Do not carry passengers.
- Do not operate on slopes greater than 20 degrees.
- When storing the machine, always park it on a level ground, lower the cylinder assembly to a horizontal level, park and brake, and turn off the power.
- Pay attention to road conditions near or when crossing roads.
- Clean spilled oil before operating or storing the machine.

- If the lawnmower starts to vibrate abnormally, stop the machine and check the cause immediately. Abnormal vibration is usually a signal that the lawnmower is not working properly.
- Stop the cylinder when not mowing, turn off the power and wait for all parts to stop completely before cleaning the machine. After the machine is turned off, the cutting cylinder will continue to rotate for a few seconds. Do not place any part of your body in the cylinder area until you ensure that the cylinder stops rotating.
- If the lawnmower hits a foreign object, stop the machine immediately and check if any parts are damaged under safe conditions.
- If there are any situations not covered by this manual, please exercise caution and make appropriate judgments, and contact the dealer for assistance.

3.3 Operating area

- Before trimming any area, please thoroughly check if there are any hazards, holes, falling objects, or hidden objects that may cause danger. It is necessary to clean up debris that may be thrown by the cylinder, such as stones, toys, wires, etc.
- Do not operate near people or animals. Do not mow the lawn when there are children or others nearby.
- Plan the mowing method to avoid discharging grass clippings onto roads, sidewalks, bystanders, vehicles, windows, etc.
- Do not cut any other objects except for mowing grass.
- Do not let the cylinder pass through leaves or other debris that may cause accumulation.
- When crossing dirt roads, gravel roads, or paved roads, please stop the cylinder operation.
- When approaching blind spots, inner openings, shrubs, trees, or other objects that may block your line of sight, please be extra careful, as these objects may hinder the progress of the lawnmower.
- To reduce the risk of electric shock, do not operate a lawnmower in rain, wet roads, or wet grass.
- To avoid losing control or overturning, do not operate on steep slopes or near water. Slow down and be extra careful on slopes.

3.4 Slope operation



- Slopes are the main cause of equipment loss of control and overturning, which can lead to serious injury or death. Operating on slopes requires more care. If you cannot confirm whether the slope conditions are suitable for operation, please do not trim it.
- Avoid starting or stopping on slopes.

- It is recommended to trim slopes with a slope of no more than 20 degrees.
- Do not operate the machine under conditions where there are problems with tire friction, steering, or stability. Even if the car is parked on a slope, the tire may slide.
- Always keep the machine running when going downhill, do not slide in neutral.
- Pay attention to holes, ruts, rocks, or other obstacles that are not easily noticed, especially high grass areas where obstacles can be hidden. Uneven terrain and obstacles may cause the machine to tip over.
- Choose to drive at a low speed so you don't have to stop on a slope.
- When the grass is wet, do not trim on slopes, as tires may slip.
- Move slowly and steadily on the slope. Do not suddenly change speed or direction, otherwise it may cause the machine to overturn.
- When loading equipment with grass collecting accessories or other accessories, extra care should be taken as they can affect the stability of the machine.

3.5 Child safety

- If the operator does not pay attention to the presence of children, tragic accidents may occur. Children are often attracted by machines and lawn mowing activities.
- Keep children away from the mowing area and have them supervised by adults other than operators.
- If children enter the area, please remain vigilant and turn off the machine.
- When mowing or operating a lawnmower, make sure there are no children around.
- Do not let children operate the machine.
- Be extra careful when approaching blind spots, shrubs, trees, or other objects that may block your line of sight.

3.6 Battery and charging safety

	<p>If used improperly, the battery may pose a risk of fire or chemical burns. Do not overheat or disassemble or burn the battery. Leaks may occur during overuse, charging, extreme temperature conditions, or when the battery is damaged, squeezed, or punctured. Such leaks indicate a malfunction in the battery, please dispose of it properly.</p>
	<p>Note: Only replace batteries and chargers provided by Fengjiang Intelligence can be used. Charging by other methods may damage the lawn mower or remote control.</p>

Safety regulations for charger use:

- It is strictly prohibited to use chargers in rainy, humid environments, or places with flammable liquids or gases, nor to install them outdoors, in areas prone to water accumulation, or in areas with flammable and explosive substances.
- Be sure to confirm the applicable voltage marked on the charger and do not connect to an AC power source that does not match.
- Do not use extension cords unless necessary. If necessary, ensure that the rated current of the extension cords meets the needs of the charger to avoid voltage drop, power failure, or overheating due to insufficient current, which may cause fire or electric shock risks. At the same time, it is forbidden to use multiple power extension cords at the same time.
- Regularly check the power cord and extension cord of the charger. If any insulation layer is found to be damaged, cut or cracked, immediately disconnect it from the socket and equipment. The damaged power cord cannot be used anymore and needs to be repaired or replaced in a timely manner.
- Standardize the use of power cords, prohibit dragging wires to move the charger, and keep the wires away from heat sources, oil stains, water sources, sharp edges, and moving objects. When plugging and unplugging the power supply, please hold the plug and operate, and it is strictly prohibited to modify the plug and power cord.
- Avoid placing the charger in a position that is easily stepped on, tripped over, or damaged. When storing, choose a cool and dry place to prevent liquids from entering.
- Strictly prohibit small metal objects (such as steel wool, aluminum foil) or other foreign objects from entering the charger port; prohibit covering the charger to prevent the device from overheating.
- When the battery or charger overheats, wait for it to cool down before operating. The charging temperature should be controlled within the range of 0 °C to 40 °C (32 ° F to 104 ° F), and should not be charged in narrow or poorly ventilated spaces.
- During charging, smoking or using open flames near the battery is strictly prohibited to prevent sparks from causing fires.

Battery usage and safety precautions:

- When the battery-powered lawnmower is running, it is prohibited to connect to the mains for charging, and only battery power can be used to reduce the risk of electric shock, explosion, or personal injury.
- When performing battery charging and discharging operations, safety glasses, protective clothing, and insulated tools must be worn.
- Batteries contain toxic liquids and explosive gases. Contact with skin, eyes, or clothing can cause chemical burns, and gas leaks can cause serious injury or even death.
- Incorrect battery cable wiring can damage the lawnmower, causing battery sparks or even explosions, resulting in serious personal injury.
- Do not expose the battery to open flames or high temperatures above 60 ° C (140 °

F) to prevent explosions; idle batteries should be kept away from metal objects (such as paper clips, coins, etc.) to avoid terminal short circuits causing sparks, burns, or explosions.

- Do not use or charge damaged, leaking, or corroded batteries; do not throw batteries into fire to prevent explosions.
- Batteries or conductors in high temperature conditions may cause burns, so be cautious when operating.

Emergency treatment for battery leakage:

- If leakage splashes onto the skin or eyes, immediately rinse the skin with plenty of cold water, rinse the eyes for at least 20 minutes, and seek medical attention as soon as possible.
- If the leakage gets on clothes or shoes, take them off immediately and wash them.
- If you feel respiratory irritation when opening the battery, immediately move to a ventilated area; if symptoms persist, seek medical attention promptly.
- If the battery generates smoke or gas during use, charging, or storage, it is necessary to ventilate and evacuate the site immediately to avoid gas hazards in enclosed spaces.

3.7 Handling and transportation

- Be extra careful when loading machines onto trucks or trailers using ramps. If the machine falls off the ramp, it may cause serious injury or death.
- Use a wide ramp to load the machine onto a trailer or truck.
- Use an approved trailer transport machine. Set the power switch to the off position and turn off the indicator light. Secure the front and rear wheels and body with a heavy-duty belt to prevent them from moving up and down and forward and backward, otherwise it may cause damage to the machine.
- During transportation, the parking brake is not sufficient to lock the machine in place. It is necessary to ensure that the machine is firmly and horizontally fixed on the transportation vehicle, and move the cylinder group height to the highest position.
- The angle between the ramp and the ground must not exceed 20 degrees.
- Use ramps with sufficient strength and slowly load the remote-controlled lawn mower onto a truck or trailer. Do not lift the machine by hand.
- Familiarize yourself with the control device of the lawn mower before operating it uphill or downhill.
- Do not operate this machine on public roads.
- Before transporting machinery on the road, please check and comply with local traffic regulations.

3.8 Storage



Please store it properly and make sure to turn off the lawnmower when cleaning.

- Please store it after the machine has cooled down.
- When not using a lawnmower, it should be stored in a dry place, away from children, and away from prolonged direct sunlight.






3.9 Maintenance


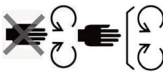
- Before repairing, cleaning, or removing parts from the lawn mower, please remove the battery or disconnect the power.
- Do not extend under the cylinder shield. Make sure your hands, feet, and clothing are away from the rotating cylinder.
- Be sure to use accessories approved by Fengjiang Intelligence.
- Electrical maintenance can only be performed by trained professionals.
- Maintaining lawn mowers requires keeping the cylinder blade sharp and clean to ensure optimum performance and safe operation.
- Check daily and weekly maintenance checklists to ensure electrical connections are secure and bolts are tightened.
- Do not remove or tamper with the safety device, and check its normal operating status regularly. Do not do anything that interferes with the expected function of the safety device or reduces its functionality.
- Before restarting and operating the lawn mower, please repair or replace all damaged components.
- Regularly inspect the lawn mower cables and, if damaged, have them repaired by an authorized service provider.
- When replacing the cylinder, wrap the cylinder or wear gloves. Replace the damaged cylinder and do not repair or modify it.
- Keep the lawn mower free of grease, dirt, and other possible combustible materials.
- To avoid personal danger and damage to the machine, do not use a high-pressure washer for cleaning.
- Do not use battery-powered lawnmowers in the rain.
- Please follow the prescribed pressure inflation in the user manual for tire pressure. Excessive inflation can cause tire rupture and may result in injury or death. If there are scratches (cracks) on the tire, do not use it as there is a risk of tire rupture. At this time, be sure to contact Fengjiang Intelligence or a dealer to replace or repair the tire, inner tube, rim,

etc.

4. Symbolic identification

The following are some symbols that may be used on this product. Please read and understand their meanings. Correctly understanding these symbols will enable you to operate the product better and safer.

V	Volt	Voltage unit
A	Amperes	Current unit
Hz	Hertz	Frequency unit
W	Watts	Power unit
min	Minutes	Unit of time
---	Direct current	Type or characteristic of current
Km/h	Kilometers per hour	The speed of the lawn mower
	Safety warning	Indicates potential danger of personal injury.
	Wet condition alarm	Do not expose to rain or use in damp areas.
	Read the user manual	To reduce the risk of injury, users must read and understand the instructions before using this product.
	Protect your eyes	Be sure to wear goggles or goggles with side guards.
	Hands and feet away	Do not put your hands or feet inside the lawn mower cutting deck.

	<p>Be careful with the slope</p>	<p>Do not operate on slopes greater than 20 °.</p>
	<p>Away from bystanders</p>	<p>Please maintain a distance of at least 100 feet from all bystanders.</p>
	<p>Attention pop</p>	<p>Pay attention to the objects that pop out, and stay away from the machine when the motor is running.</p>
	<p>Keep people away from</p>	<p>Keep people away.</p>
	<p>Body warning</p>	<p>No riding or carrying objects</p>
	<p>Prevent electric shock</p>	<p>Please turn off the power before operating this machine.</p>
	<p>No footsteps</p>	<p>No footsteps allowed.</p>
	<p>Pay attention to cutting hands</p>	<p>Do not open or remove the safety shield when the motor is running.</p>
	<p>Pay attention to pinching your hands</p>	<p>Moving parts can easily squeeze or cut the hands, so keep them away.</p>



Pay attention to pinching your hands

Pay attention to pinching your hands.

5. Product introduction

5.1 Specification parameters

Weight of the whole machine	Total weight (including 4 batteries)	363.5kg
Machine size	Length of the whole machine	1905 mm
	Height of the whole machine	1077mm
	Width of the whole machine	1077mm
cutting deck parameter	Number of blades	8
	cylinder diameter	178mm (7 inches)
	cylinder length	684mm (27 inches)
	Mowing height	7~44mm
Vehicle performance parameters	Front wheel motor power	1200W
	Front wheel spacing	860mm
	Front wheel specification	18x9.5-8
	Rear wheel specification	18x9.5-8
	Climbing angle	$\leq 20^\circ$
	Advance speed	0~6 km/h(0~3.7 mph)
	Battery voltage	48 V DC
	Battery capacity	8 kWh

	Maximum battery life	10 h
	Charging time	5h@SOC10%~90%
	Maximum operating area per charge	20000 m ²
	Waterproof grade	IPX4
Intelligent module	Automatic path planning function	Yes
	Electronic anti-theft	Yes
	4G communication	Support
	Wi-Fi and Bluetooth	Support
	Network RTK	Support
	Raindrop induction	Yes
	Tilt induction	Yes
	Collision induction	Front-rear collision induction
	Camera	Monocular
	Operating mode	Remote control mode
Intelligent operation mode		

5.2 Overview of lawn mowers

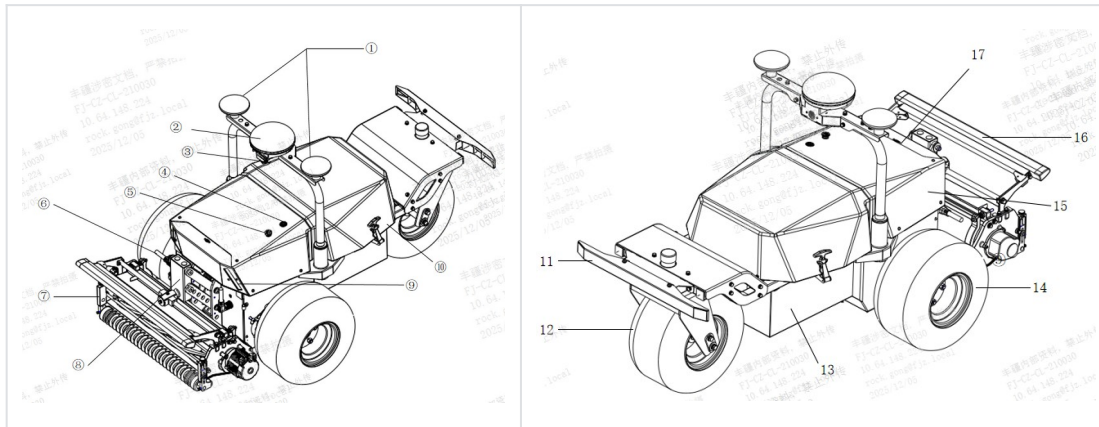


Figure 1 Figure 2

1	RTK	10	Rear hood
2	Inertial navigation assembly	11	Rear bumper
3	LiDAR	12	Rear wheel
4	Power switch	13	Battery compartment
5	Emergency stop switch	14	Front wheel
6	Charging interface	15	Front hood
7	cutting deck	16	Front bumper
8	Lifting mechanism	17	Raindrop sensor
9	Car lights		

5.3 Display control end point

The end point of the display control can be a mobile phone or a tablet computer delivered with the car.

5.4 Install/Quick Change Battery

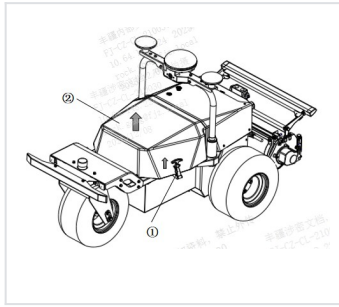


Figure 3

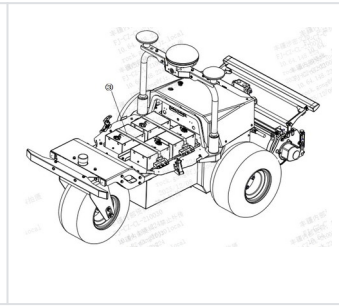


Figure 4

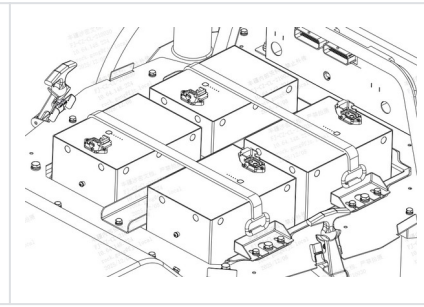


Figure 5

1. Lift up the T-buckle handles on the left and right sides of the rear cover (as shown in Figure 3), and then remove the rear cover (as shown in Figure 4).
2. After removing the strap, the battery can be installed or replaced quickly (pay attention to the direction of the battery harness socket, as shown in Figure 5).

Serial number	Name
1	T-lock handle
2	Rear hood
3	Strap

5.5 Electromagnetic brake manual release

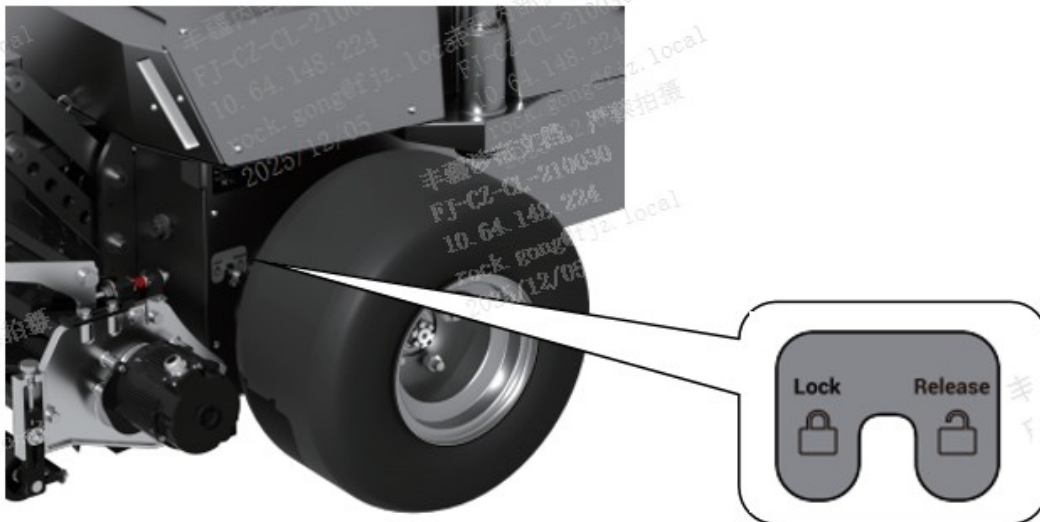




Figure 6

During power outage, the entire vehicle is in the braking state. When manual brake release is required due to malfunction or special circumstances, the brake release lever next to the left and right tires needs to be turned clockwise to the appropriate position (close to the bottom).

	<p>Note: After completing the maintenance, adjust the walking motor electromagnetic brake to normal working condition.</p>
	<p>Do not drive the lawn mower when the electromagnetic brake of the walking motor is manually released. Before operating, be sure to adjust the electromagnetic brake of the walking motor to normal working condition! Failure to readjust the electromagnetic brake of the walking motor to normal working condition may seriously damage the lawn mower and invalidate the warranty of the lawn mower!</p>

5.6 Adjust the clearance of the cylinder bottom knife

3. Insert a 0.05mm cutting test strip between the blade and the bottom blade edge.
4. Loosen the adjusting nut by sliding the thin gasket left and right until a slight pressure is felt on the thin gasket, and remove the thin gasket.
5. To maintain slight contact between the cylinder and the bottom knife, loosen each adjusting nut a little bit (① tighten the nut to move the bottom knife edge further away from the cylinder; ② loosen the adjusting nut to bring the bottom knife edge closer to the cylinder).
6. Insert a long strip of shearing performance paper between the cylinder and the bottom knife to test the shearing performance perpendicularly to the cylinder and bottom knife (Figure 7). Slowly rotate the cylinder shearing detection paper forward (observe whether the detection paper is cut cleanly and neatly, if not, it needs to be installed and sharpened before adjusting the gap).

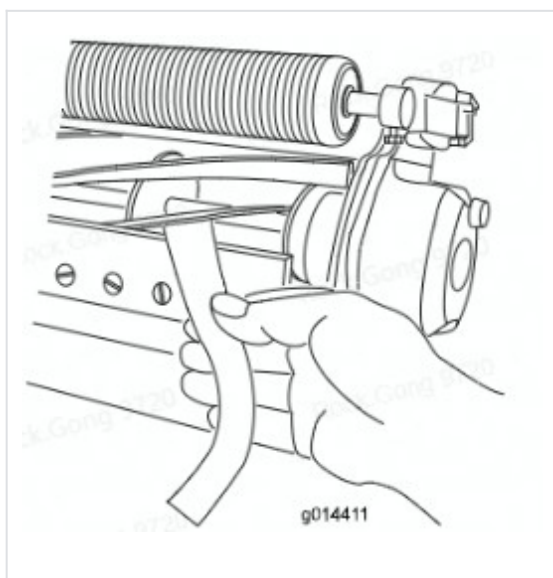


Figure 7

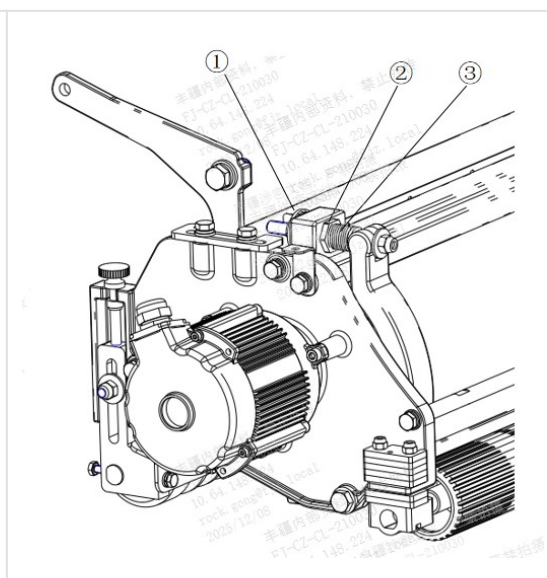


Figure 8

Serial number	Name
---------------	------

1	Adjusting nut
2	Bushing
3	Spring



Note: When maintaining the clearance between the bottom cutter of the cylinder every day, pay attention to adjusting the tightness of the nut. If it is too loose, loosen the bushing to maintain the pre-tightening force of the spring.

5.7 Adjust mowing height

The mowing height needs to be adjusted by the customer according to the lawn condition and actual working conditions. The following table is a recommended table for the mowing height and bottom blade inclination angle of heavy-duty rolling cutters. The larger the inclination angle, the greater the invasion. When adjusting the mowing height, not only the height of the front roller should be adjusted, but also the gasket of the rear roller.

Recommended table for mowing height and inclination angle of heavy-duty cutting deck				
No.	Mowing height	Number of rear roller down washers	Bottom knife inclination	Remarks
1	7	1	7	
2	12	1	5	
3	14	1	4.1	
4	17	2	5	
5	19	2	4.1	
6	22	3	5	
7	24	3	4.1	

8	27	4	5	
9	29	4	4.1	
10	32	5	5	
11	34	5	4.1	
12	37	6	5	
13	39	6	4.1	
14	42	7	5	
15	44	7	4.1	

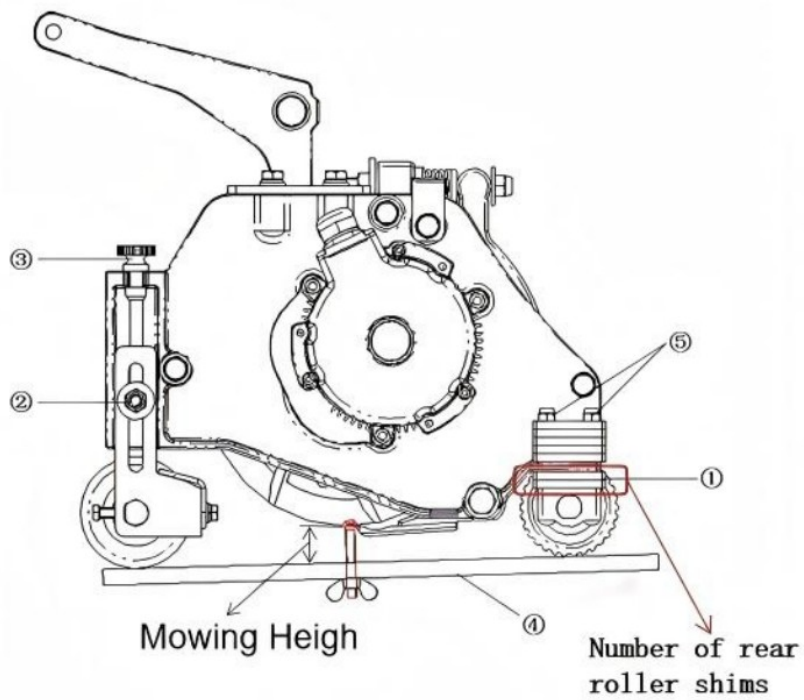


Figure 9

Serial number	Name
1	Adjusting pad

2	M8 anti-loosening nut
3	Hand bolt
4	Height adjustment fixture
5	M6 anti-loosening nut

6. Assembly

6.1 Packing list

1	280056000Y0100A	RCM01 Vehicle Assembly	1
2	39000002FY0100C	L-shaped elbow socket wrench	1
3	10150001FY0100B	Crescent wrench	1
4	39000003FY0100B	Mid-cut on-board tool kit	1
5	39000005DY0100A	Ratchet Open Wrench-13 #	1
6	39000006DY0100A	Ratchet Open Wrench-16 #	1
7	NS010133DY0100A	Inner hex wrench 4 #	1
8	NS010134DY0100A	Inner hex wrench 5 #	1
9	NS010135DY0100A	Inner hex wrench 6 #	1
10	NS0101932Y0100A	Hexagonal wrench 8 #	1
11	S990140600700A	Double-headed wrench	1
12	S990141301600A	Double-headed wrench	1
13	900297330Q0030B	10-Inch three-proof tablet	1
14	970300362Q0290A	Height measuring plate	1
15	S010210604501	Inner hexagonal round	1

		head screwdriver	
16	S020190600001	Butterfly nut	1
18	PSM-HG-003265	Certificate of Qualification for Fairway cylinder Robot (English Version)	1
19	PSM-BX-003210	Fairway cylinder robot warranty card (English version)	1
20	Q0340012A	Micro RTK receiver	1
21	970300562Q0290B	Heavy-duty bottom knife	2
22		Ordinary strip	20
23		Barbed strip	10
24		Charger	1

6.2 Unpacking machine

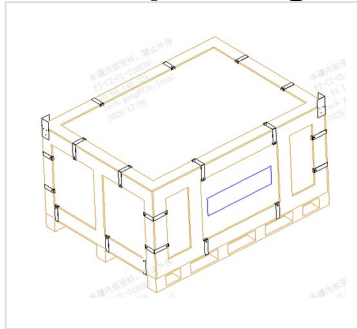


Figure 10

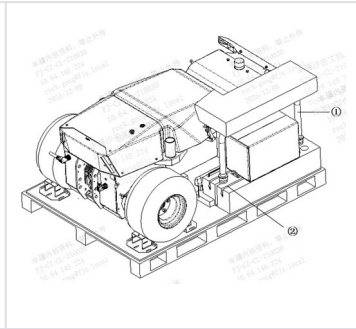


Figure 11

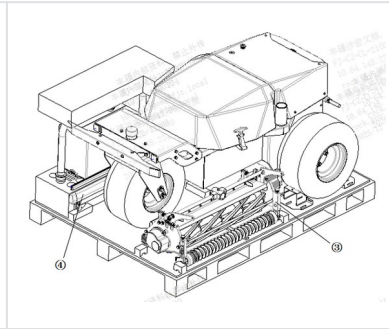


Figure 12

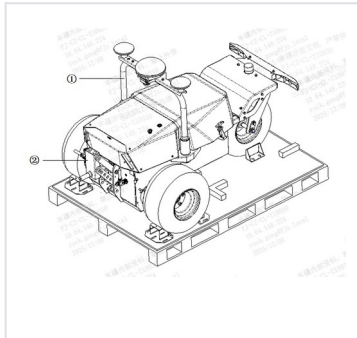


Figure 13

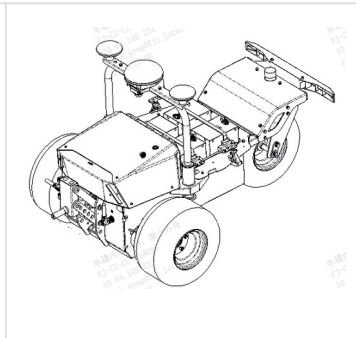


Figure 14

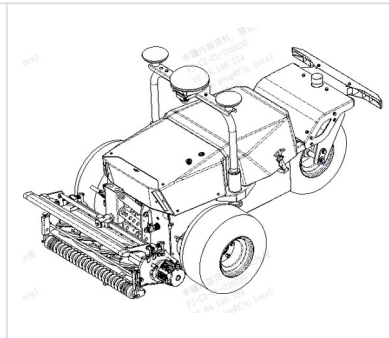


Figure 15

7. First, cut off the wrapping film outside the packaging box, then remove the top and side panels of the wooden box (as shown in Figures 10 and 11).
8. Remove the small accessories from the pallet and assemble the lifting bracket and antenna bracket (as shown in Figure 13).
9. Remove the fixed tires of the whole machine and assemble the battery (as shown in Figure 14).
10. Turn on the machine and control the entire vehicle to the ground.
11. Assemble the cutting deck and front bumper (as shown in Figure 15).
12. Connect the cylinder motor plug, front bumper plug, and fix the wire harness.

Serial number	Name
1	Antenna mount assembly
2	Lifting mechanism
3	cutting deck
4	Front bumper

7. Deployment of radio base stations (GNSS)

If you have a Ntrip-based network RTK service number, you can use the network RTK location solution without deploying a radio.

7.1 Deploy base stations

In order to optimize the performance of the RTK system, the base station must be located in an open area to receive satellite signals. You can install the radio base station on a flat and open ground, or on a wall or roof. Generally, the base station can be placed on the ground, but if you have multiple pitches, we recommend placing the base station on a wall or roof to improve stability and coverage.

7.1.1 Install the base station antenna on the ground

If the installation method on the wall/roof is not suitable for your usage scenario, you can choose to purchase our "Tripod Kit" accessories. You can check the detailed instructions below.

Site requirements

Choose a suitable location to install the reference station. The requirements are as follows:

1. Choose a place without trees or towers nearby. Also place your base station and tripod on open fields and as high terrain as possible.

2. Choose land with dense soil to ensure that the position remains unchanged after installation.
3. The position is not affected by collisions with operating machinery.
4. Choose an easy-to-find location.

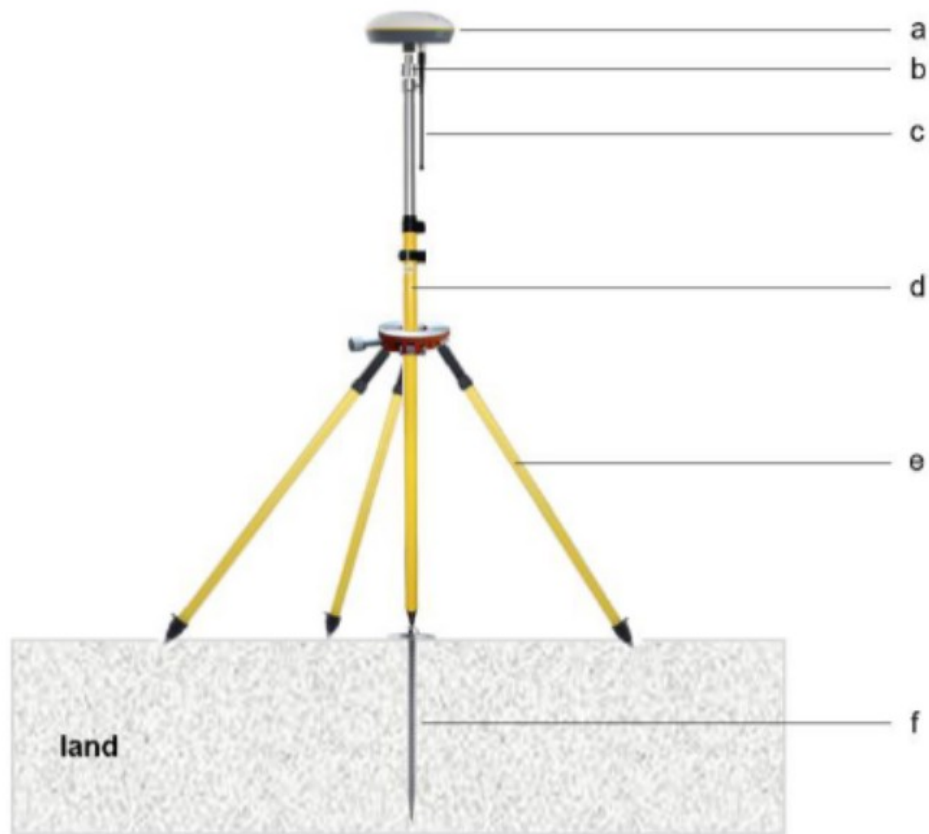
Installation guidance

1. It is recommended to complete the first installation of radio base stations in the following order:

- a. On the selected plot, bury the benchmark station measurement pile in the ground and compact it; mark the top of the pin flush with the ground; mark the position of the pin for easy use next time.
- b. Remove the receiver, antenna adapter, and radio antenna. Then connect the receiver's radio antenna and antenna adapter. The receiver needs to be installed on the center pole of the tripod; then turn it on.
- c. Place the bottom of the center rod of the tripod on the marked pin, and press the three legs of the tripod firmly; adjust the length of the three legs to center the horizontal bubble above the tripod.
- d. Set the center rod of the tripod to the appropriate height: 1.5-1.7 meters (make sure to set the same height each time).
- e. Configure the coordinates of the starting reference station through the software app and record the starting coordinate value of the current position.
- f. Start your lawn mowing task.

2. Second operation:

First, find the marking pin point of the first operation, repeat steps b and c, and then use the coordinate value of the first start to start the receiver of the reference station and start the operation.



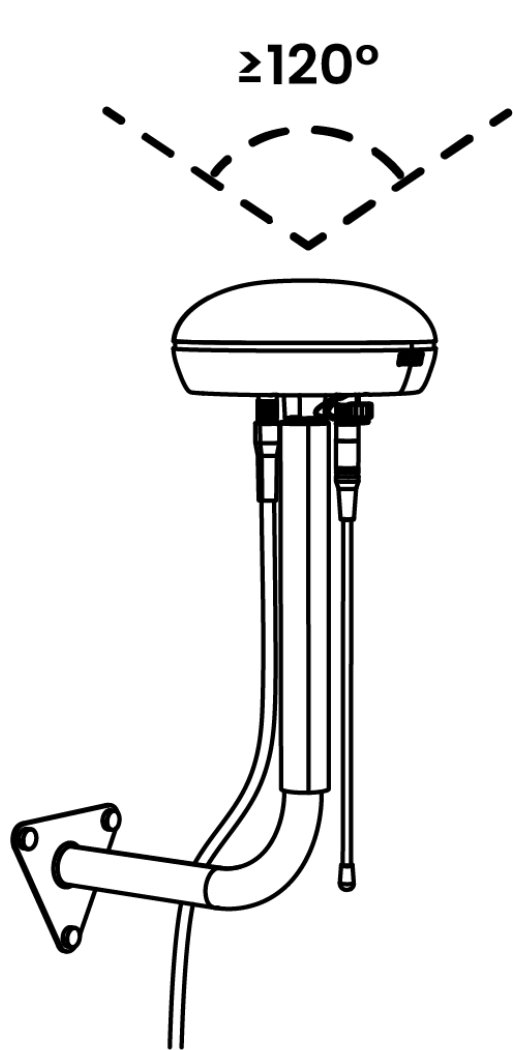
- | | | | |
|---|-----------------------------|---|----------------|
| a | V1 receiver | d | Alignment pole |
| b | Adaptor with 5/8-inch screw | e | Tripod |
| c | Radio antenna | f | Marking pin |

3. The steps for removing the receiver are as follows:

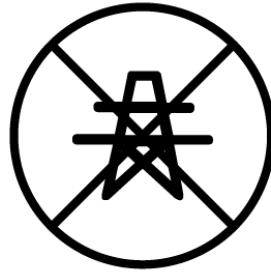
- a. Remove the receiver and turn it off; remove the radio antenna and antenna adapter;
- b. Folding tripod;

7.1.2 Install base station antennas on walls/roofs

1. Radio base station antennas should be installed in open areas such as rooftops or walls.
2. Ensure that there is a partially unobstructed sky at a 120 ° angle.
3. Install base station antennas at least 500 meters away from water sources such as base stations, high-voltage cables, and lakes.



cellular towers

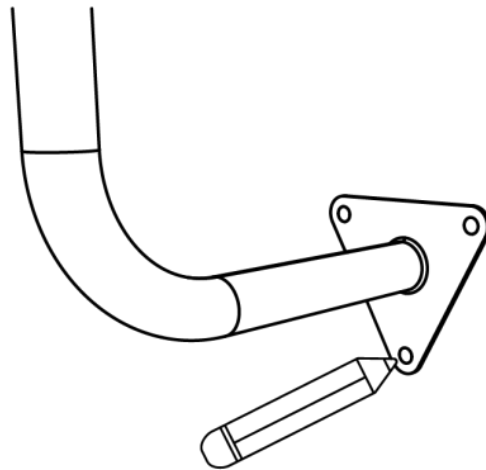
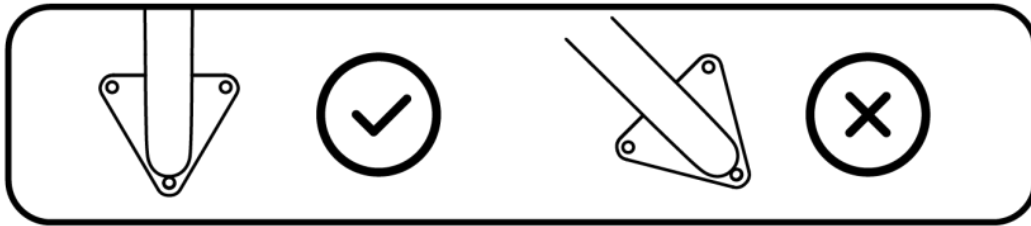


high-voltage cables

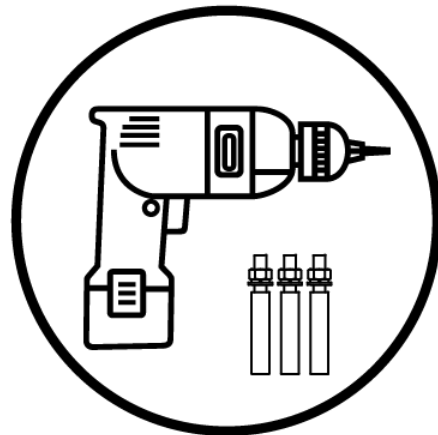
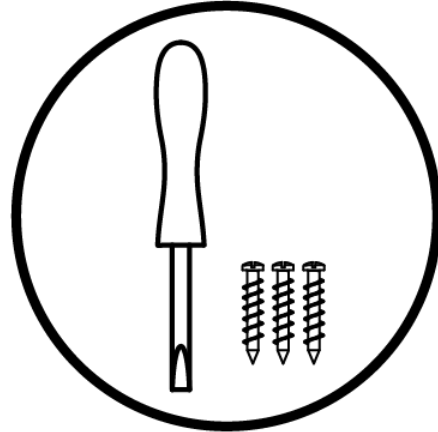
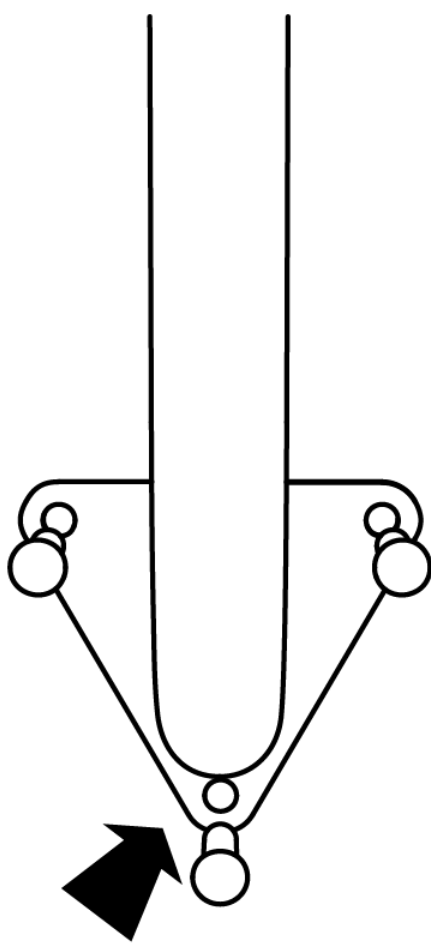


lakes

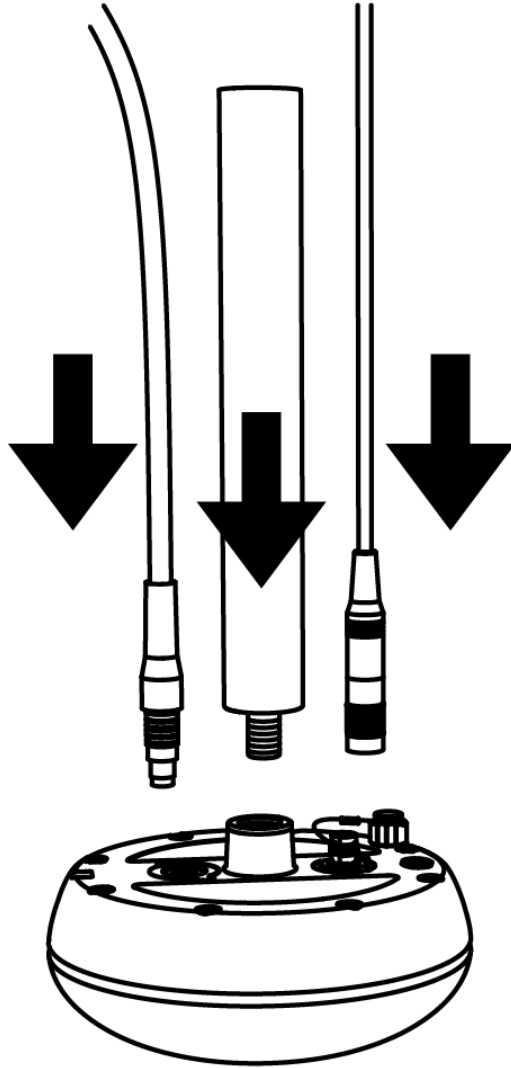
4. Mark the installation position of the curved mounting rod on the wall.
5. The mounting rod must be positioned vertically upward.



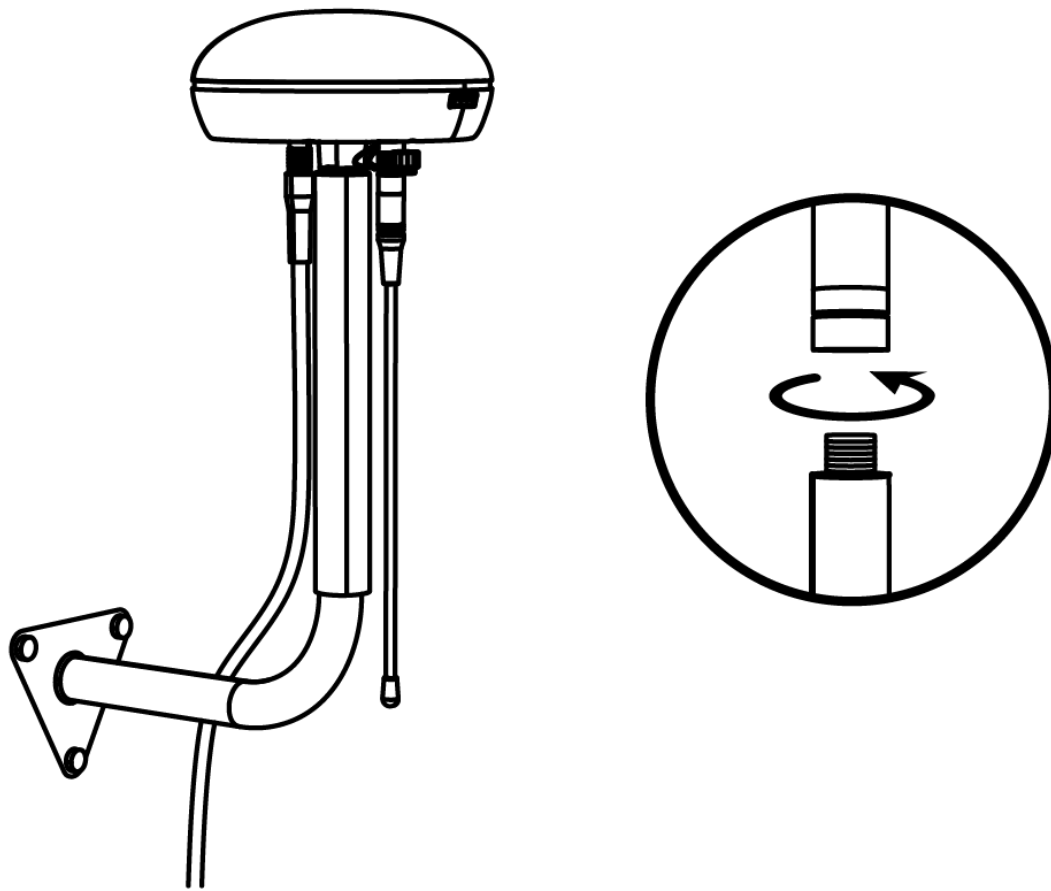
6. Select the appropriate bolts according to the wall material and drill holes at the marked positions.
7. For wooden walls: use M6 screwdrivers and screwdrivers.
For concrete walls: use M8 expansion bolts and power tools (self-contained).



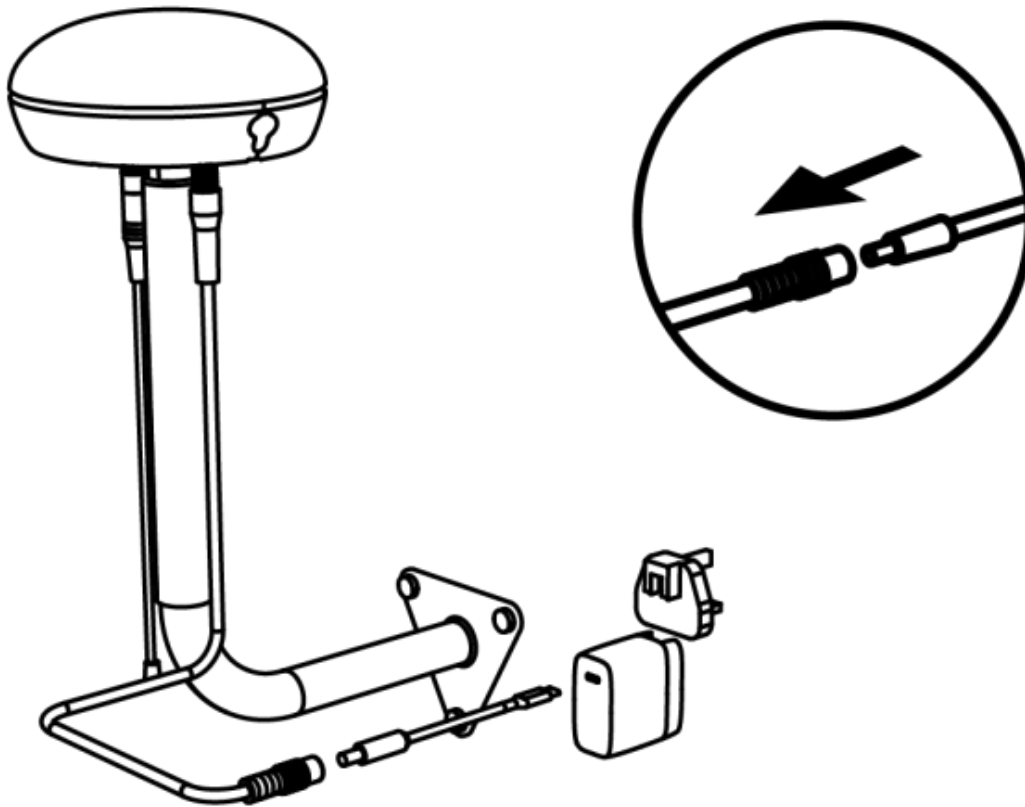
8. Install a direct hanging rod, RF antenna, and power cord (5m) on the base station.



9. Secure the two mounting rods firmly.



10. Insert the DCUSB-C cable, adapter, and power adapter plug into the power outlet to activate the base station.



8. Instructions for use

8.1 Preparation work

- Read and understand the safety instructions before use.
- Ensure that the radio base station has been deployed or that the ntrip account information has been obtained.
- Make sure there is good Wi-Fi or mobile hotspot signal available nearby.
- Confirm that the Bluetooth function on your phone is enabled.

8.2 Download applications

FJD LandScaping is designed to be used with applications. Please download the application first. You can obtain the application by scanning the QR code below or searching for FJD Landscaping in the app store.



8.3 Register a FJD LandScaping account and log in

If you already have an FJD LandScaping account, see Sign in Only.

Mobile number registration is currently only available in Chinese mainland.

8.3.1 Register and log in

After downloading the application, you can create an account according to the following instructions.

8.3.1.1 Register with email

1. Click Register Now.
2. Enter your email address.
3. Click the Send Verification Code button, and a verification email will be sent to your email address (if not received, please check your junk email folder).
4. Enter the verification code (the valid period of the verification code is 10 minutes, please click the send button again to get a new verification email).

5. Set a password (the password should be between 8 and 22 characters, with at least lowercase letters and numbers).
6. Review the User Agreement and Privacy Policy.
7. Click to complete registration and login.

9:41



REGISTER

For account security, please set a login password and enter verification code. Your password must be a combination of numbers, letters and special characters, and at least 8 characters long.

8.3.2 Log in only

You can log in directly by entering your username (i.e. email) + password, or username (i.e. email) + verification code. After that, check the User Agreement and Privacy Policy, and click Login to access the main interface of the system.

To switch the application language, please click on the upper left corner of the login page.

🌐 English >



FJD LANDSCAPING

Email adress

Enter Password

[Forgot Password](#)

Log in

[Register](#) | [Verification](#)

8.4 Facility Management

Facility Management provides a view of all devices under the current account

20:58

3.40 MB/S 5G 56A 36

FJD Landscaping

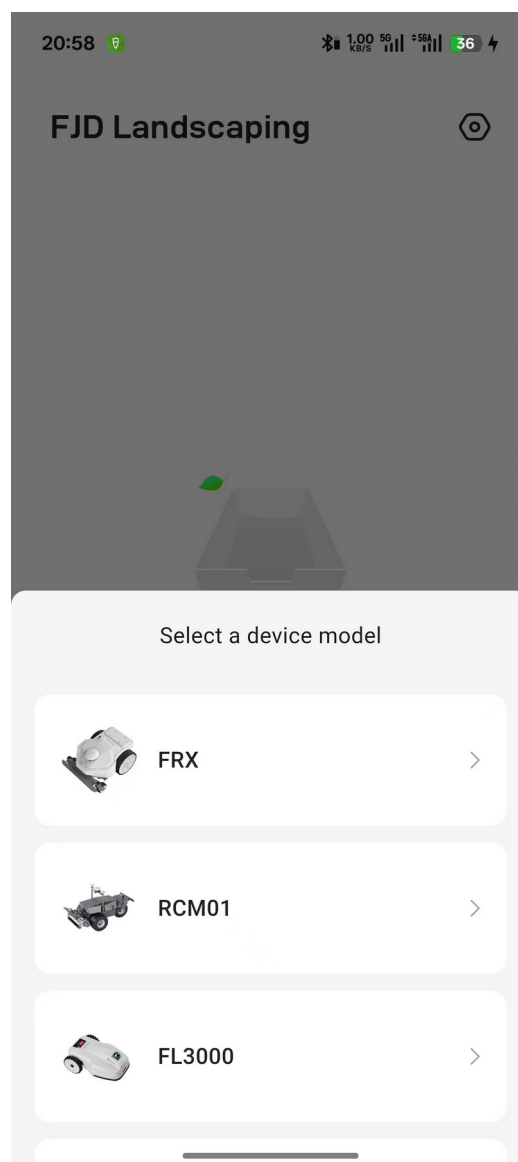


8.5 Add RCM01 lawn mowing robot



Note: To ensure that the Bluetooth function is normal, please make sure that the phone has turned on the Bluetooth function and the distance between the phone and the lawn mowing robot is less than 3m.

1. Click the "Add Device" button.
2. Select "RCM01" from the options.
3. Follow the instructions to complete the setup of the robot.



8.5.1 Connect the lawn mowing robot to the network

8.5.1.1 Connect to Wi-Fi



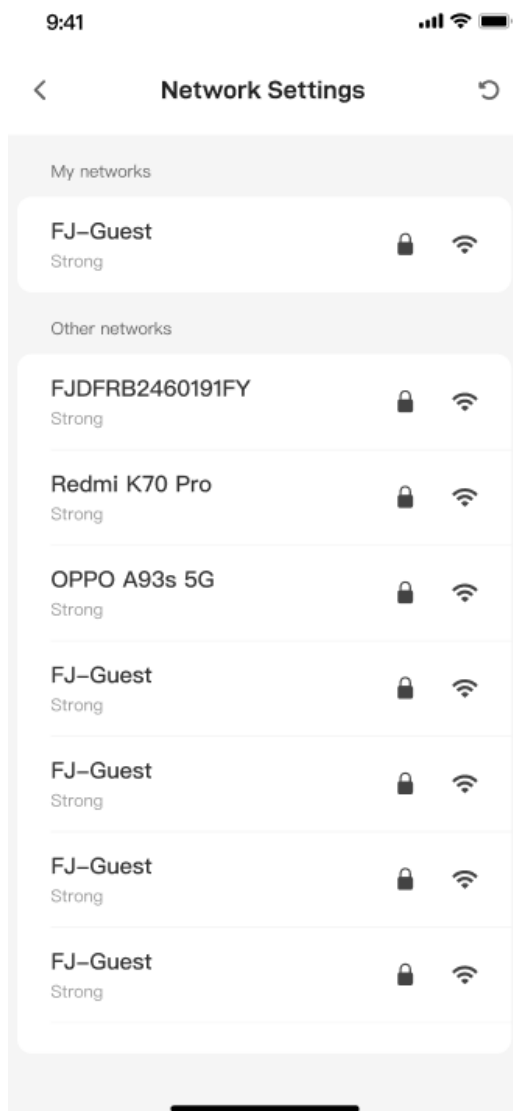
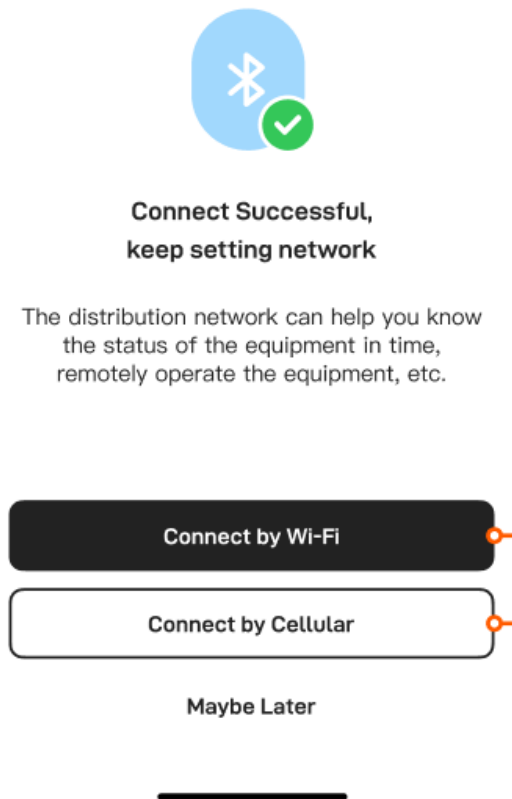
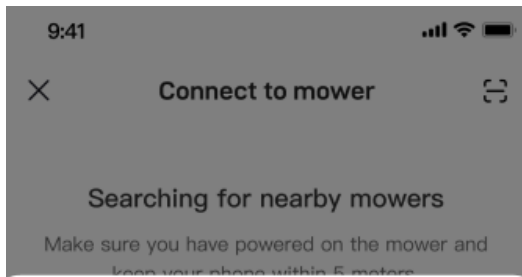
Note:

RCM01 lawn mowing robot only supports 2.4GHz Wi-Fi network.

If you are using a iOS device, the lawn mower can only connect to the Wi-Fi network that your phone is connected to. First, connect your phone to Wi-Fi, and then connect the lawn mower to the same Wi-Fi network.

When adding a device for the first time, guiding the phone to connect to the vehicle via Bluetooth will initiate the network configuration process.

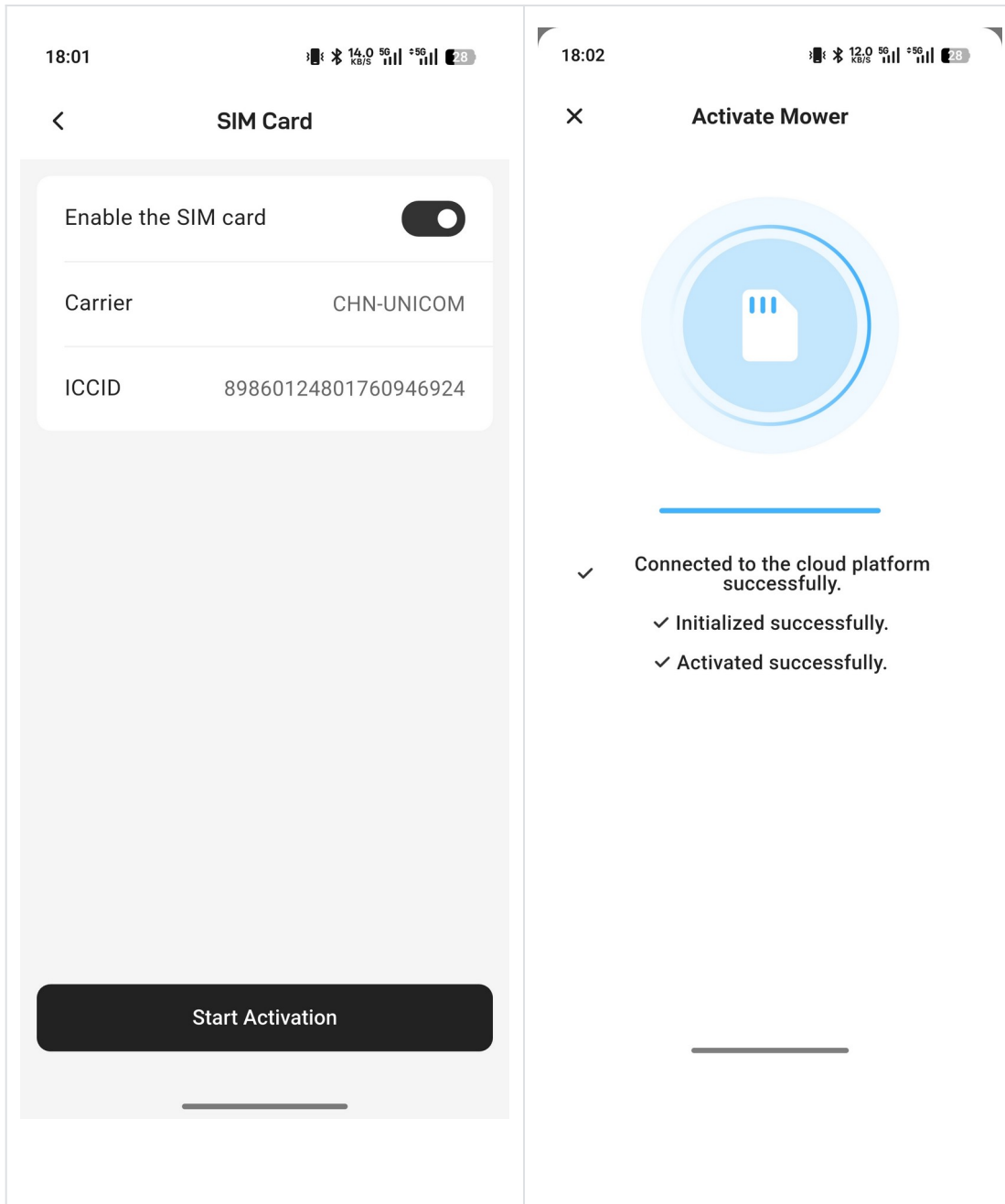
- Enter or select the Wi-Fi network name.
- Enter the Wi-Fi password.
- Click Finish.



8.5.1.2 SIM 4G distribution network

- Select "Connect via cellular network" to connect the car via Bluetooth

- Make sure the vehicle is plugged in with the SIM card
- Activate the device with SIM card information and wait for completion



8.6 Set location mode

The lawn mower supports three positioning mode configuration options: proxy channel, Ntrip network RTK base station, or local internal radio. You will find the configuration entry in "Settings-Advanced Settings-Location Mode" or click "Quick Mowing" to quickly set up according to the page prompts.

8.6.1 Proxy channel

1. Automatically obtain the pre-configured Ntrip account on the GreenMaster platform
2. Wait for configuration to complete

00:02

65.0 KB/S 5G 5G 97



Proxy Channel



Automatically obtain the NTRIP account pre-configured on the GM platform for faster positioning setup.



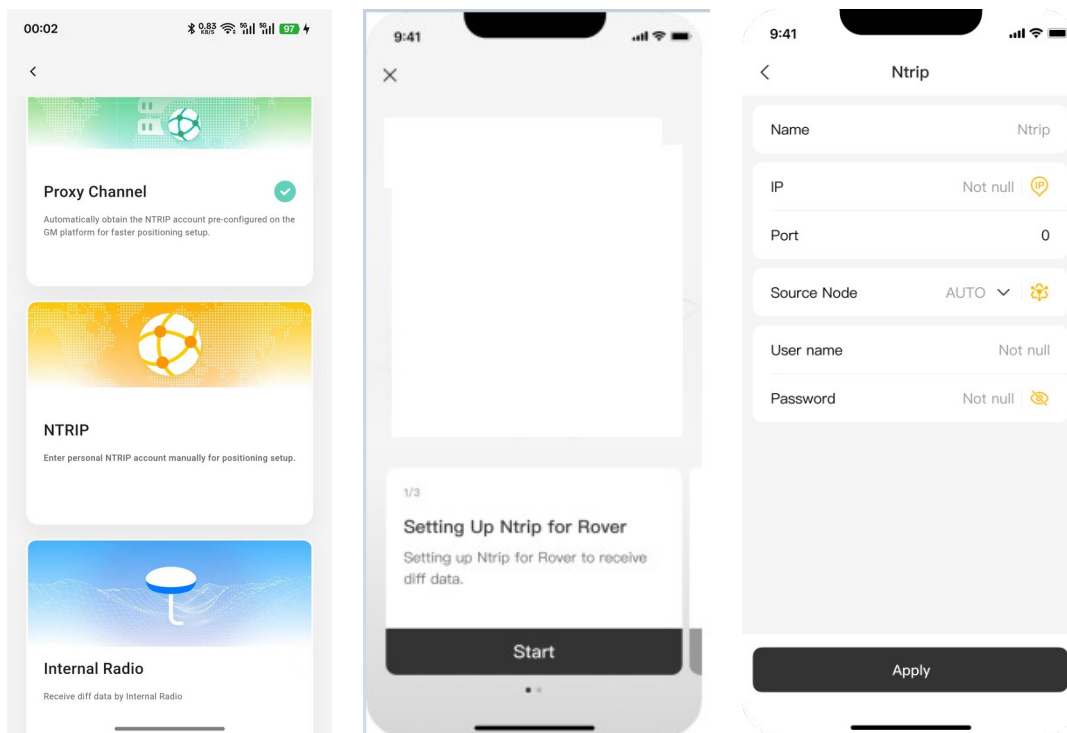
0/40s

Acquiring positioning service...

Cancel

8.6.2 Deploy Ntrip network

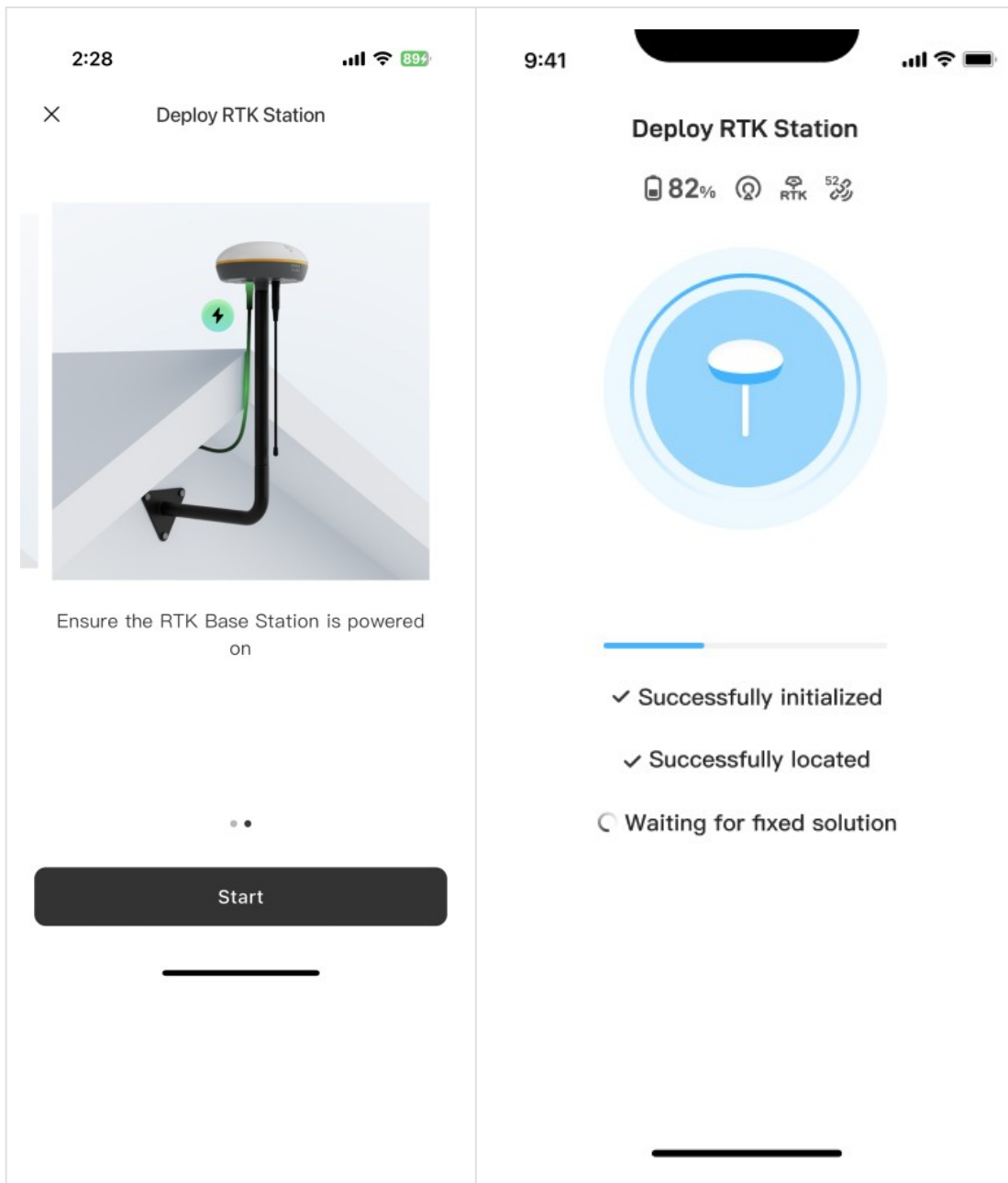
1. Select Ntrip.
2. Read the deployment instructions.
3. Enter the required Ntrip network RTK configuration.
4. Wait for the base station function deployment to complete.



8.6.3 Deployment of internal radios (RTK base station antennas)

Ensure that the RTK base station antenna is installed and powered on, and ensure that the phone is connected to the lawn mowing robot via Bluetooth.

1. Select the base station site.
2. After confirming that the preparation steps have been completed, click Start.
3. Wait for the base station function deployment to complete.



8.7 Finished RCM01 mowing robot configuration

8.7.1 First charge

Before working for the first time, you need to charge the lawn mower to full power

8.7.2 Firmware update

To ensure the stability of the lawnmower, firmware version check is required to ensure the latest firmware status. Firmware status check and upgrade entrance: Settings - Firmware Update "

18:39

18.0 KB/S 5G 5G 19



Firmware Update



Currently on latest version

Current version: 1.2.0.5

8.7.3 List of Other Lawn Mower Function Configurations

The image displays three sequential screenshots of a mobile application interface for a lawn mower. The first screenshot shows the main device page for 'CM_0002FY', featuring a 3D model of the mower, a 'Return' button, a 'Quick Mow' button, and a schedule card for '10:33 Mon' with a toggle switch. The second screenshot shows the 'Settings' menu, which includes options for 'Mower' and 'App', 'Maintenance Info' (displaying 10000.0 m² remaining), 'System Status', 'Accessory List', 'Network Settings' (Online), 'Advanced Settings', 'Help & Feedback', and 'Firmware Update'. The third screenshot shows the 'Advanced Settings' menu, which includes 'Light Control', 'Headlight' (toggle off), 'Path Planning', 'Obstacle Avoidance', 'Lift Sensor' (toggle on), 'Non-Slip Settings', 'Rain Sensor', 'Rollover Protection', 'Positioning Mode' (NTRIP), and 'Video remoto'.

Lawn mower settings	
Function item	Explanation
Mowing history	Provide mowing history statistics information such as "total area", "total running time", and "number of tasks". Click on this area to access the "mowing history task list".
Maintenance information	Based on the accumulated historical operating area, calculate the next cylinder maintenance recommendation. Click on this area to perform maintenance-related operations, see below:
System status SYS	Display lawn mower system status
Accessories list	Display suitable accessories for lawn mowers, and further operate the accessories. For details, please refer to the accessory user manual.
Network settings	View lawn mower network settings and modify them as needed
Advanced settings	Advanced settings are made for lawn mower sensors and execution strategies, see the table below for details.
Help and feedback	Control the overlay prompt for certain operations through the "Mapping Guide" switch, and "Create Task" is the overlay prompt switch for that specific operation. "Delete Plan" operation help prompt.
Firmware update	Check the firmware version, and when there is a firmware upgrade prompt, you can operate to perform the upgrade.

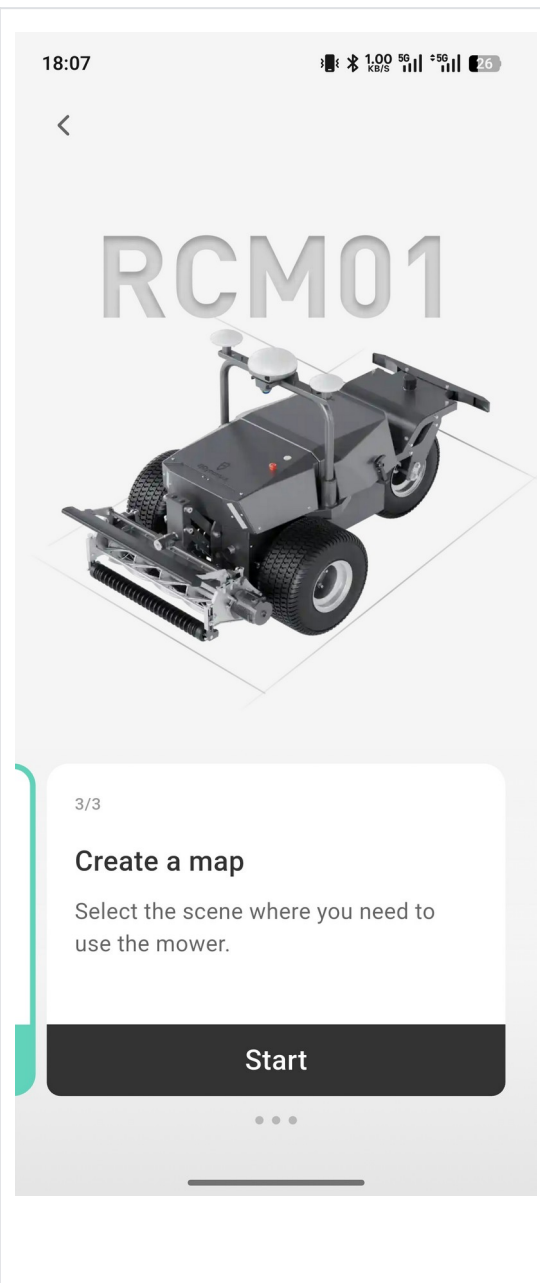
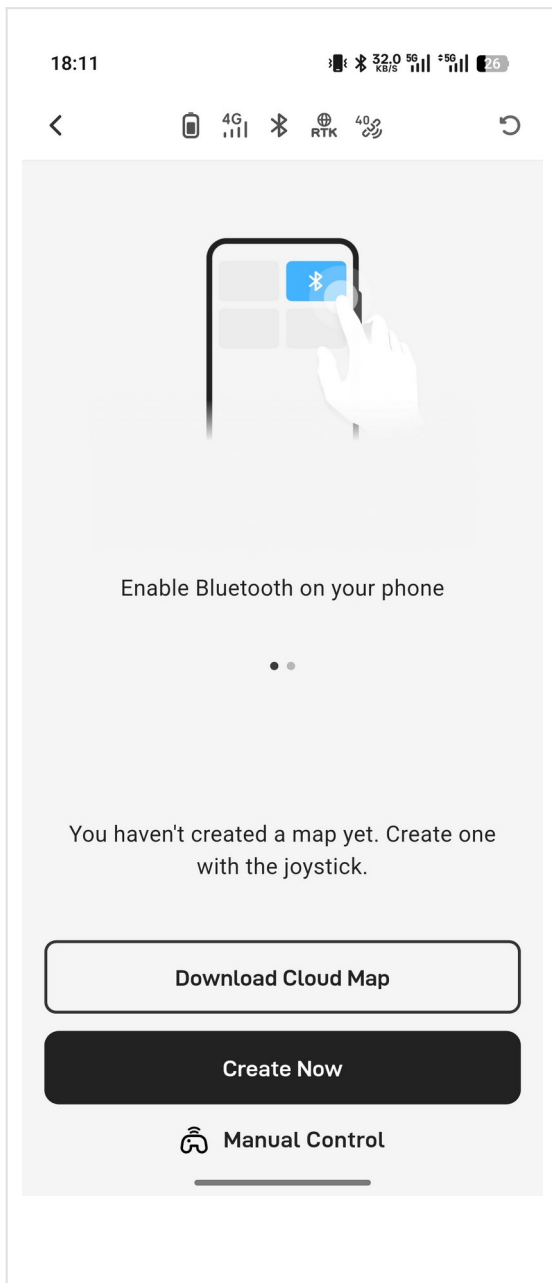
Advanced settings for lawn mowers	
Lighting control	Light control switch, the scheduled time can be set when it is turned on
Headlights	Headlight switch
Path planning	Dynamic path planning: Display mowing path: When enabled, the

	planned path will be viewed on the job map.
Obstacle avoidance level	Ignore obstacles at the edge of the area: Obstacles outside the edge of the work area will be recognized after opening, which may affect work efficiency. Channel avoidance settings: In the off state, the channel operation will ignore obstacles. In the on state, the obstacle avoidance high and low sensitivity can be defined
Lift sensor settings	When turned on, the front wheel lifting machine will stop working
Anti-skid setting	Vehicle anti-skid level settings: low, standard, high, super high
Rainwater sensor settings	After activation, if rain is detected, the task will be paused and returned to charging. The task will automatically resume after the protection countdown ends.
Anti-overturning protection	Set inclination protection to prevent rollover. Set range 15 ° -60 °
Positioning mode	Proxy Channel, Ntrip, Internal Radio
Remote control	After turning it on, you can set a security code to remotely control the car
Electromagnetic brake	Brake system control switch. Turning it off will not lock the wheels, suitable for some scenarios without power assistance but requiring free movement

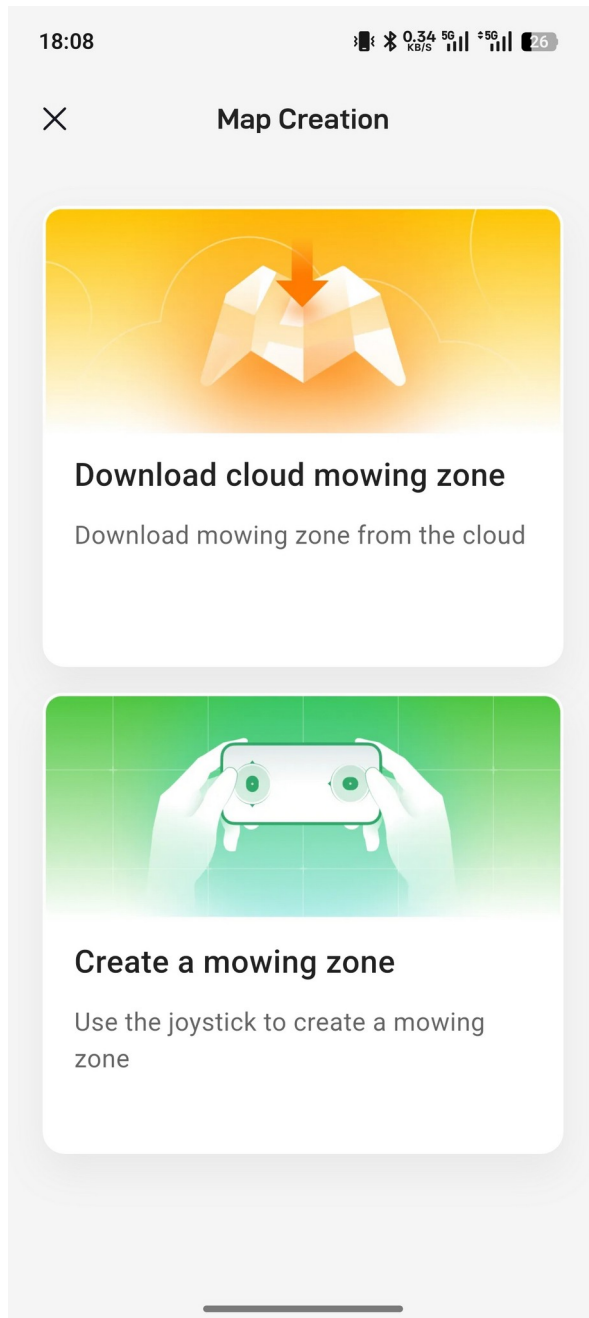
8.8 Mowing operation

8.8.1 Create a map

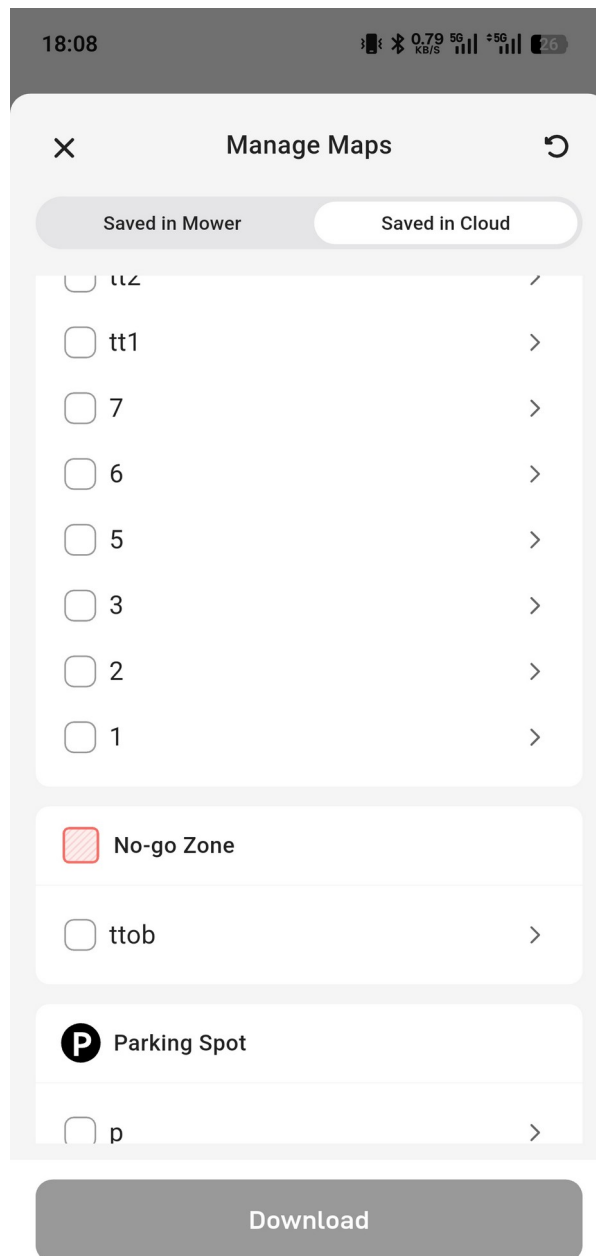
- Click "View in Map", select "Download Cloud Map" or "Create Now"; Click "Quick Mowing" to trigger the "Create Now" map operation



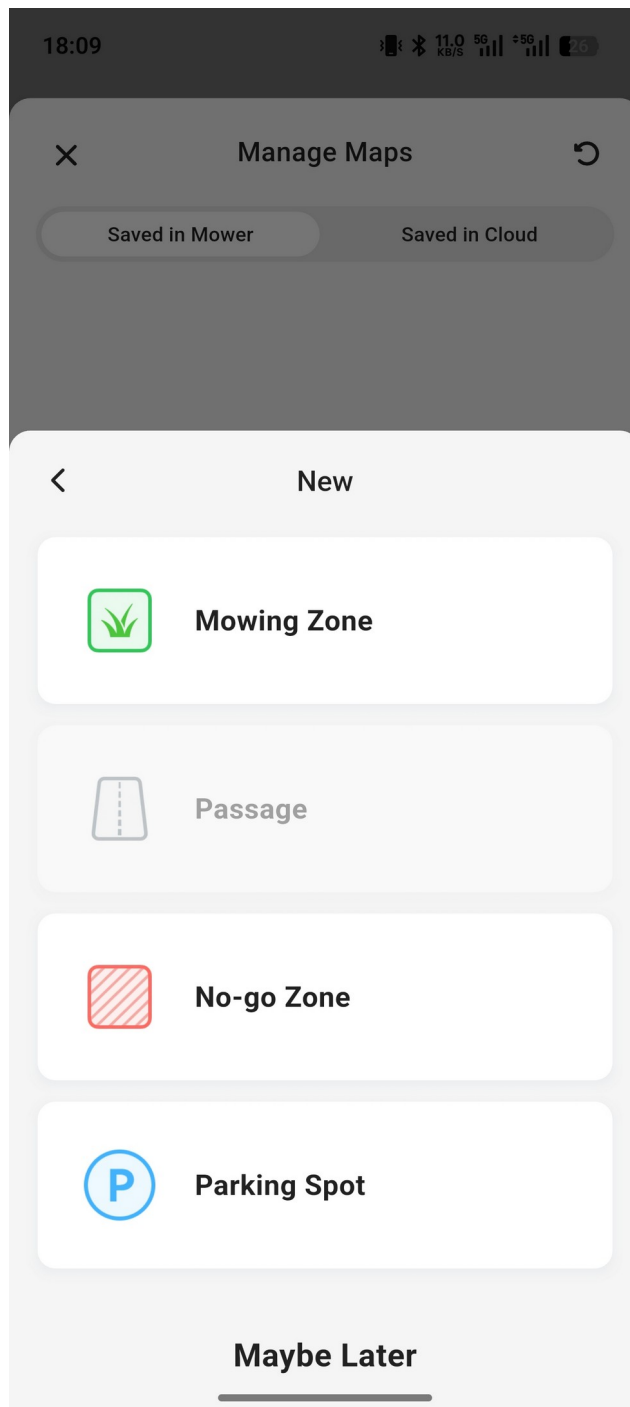
- There are two ways to create a map, "Download cloud mowing area" and "Create mowing area".



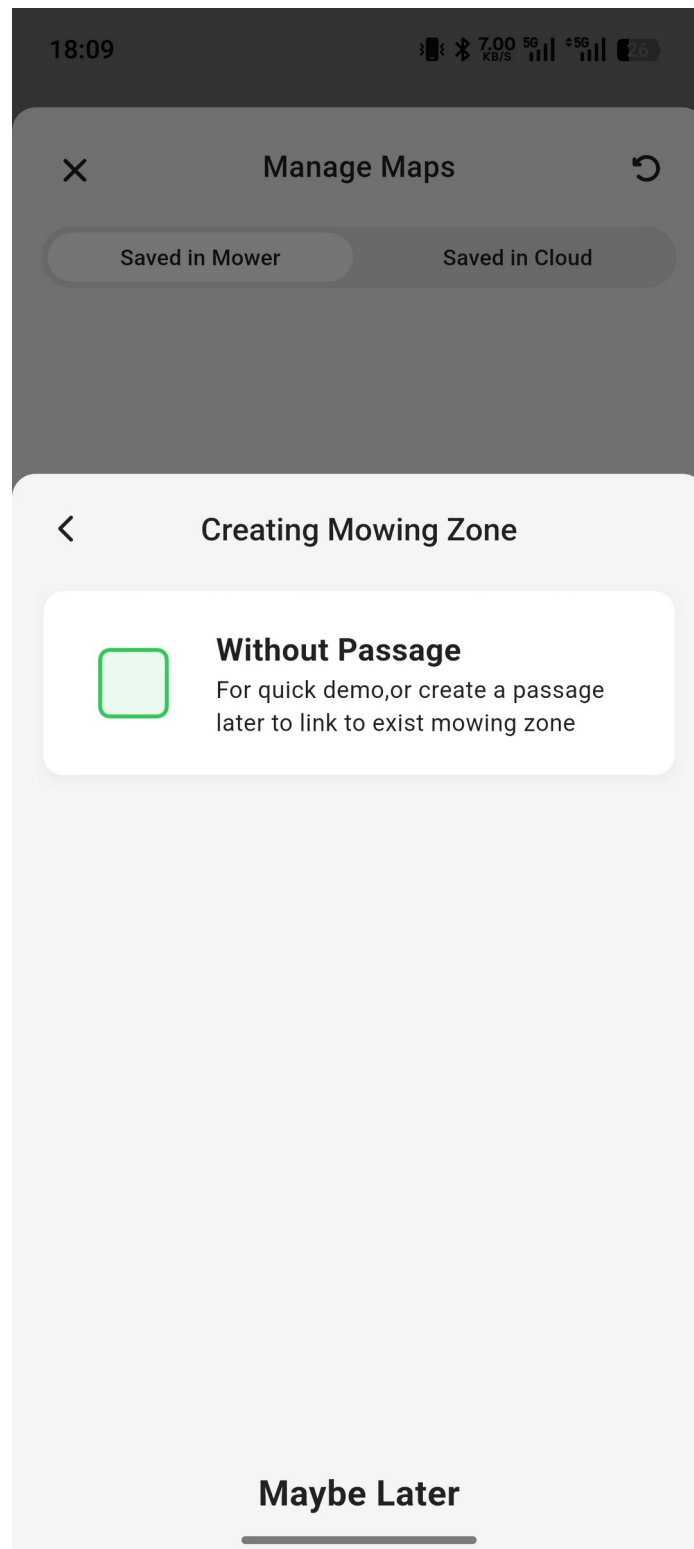
- Cloud mowing area is Downloaded by GM or connected dotter



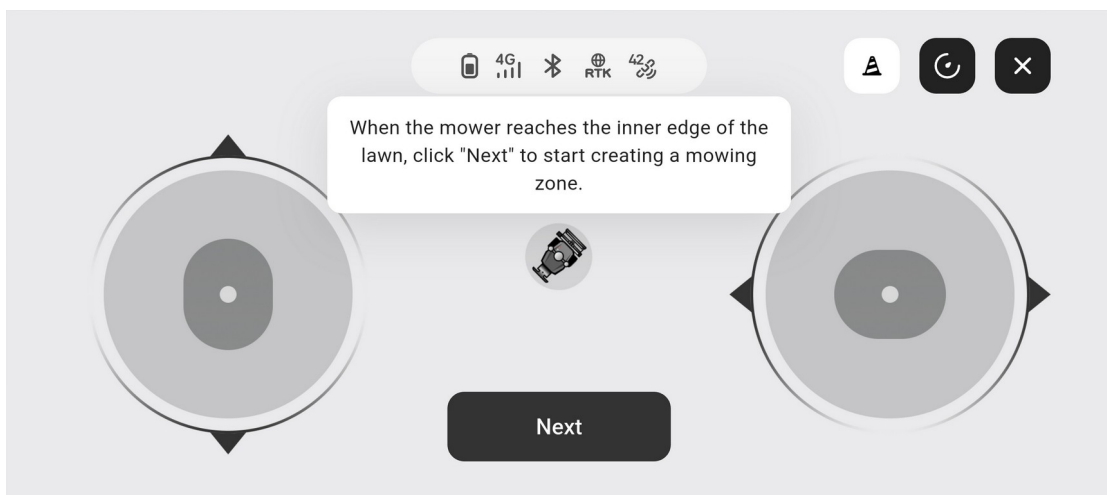
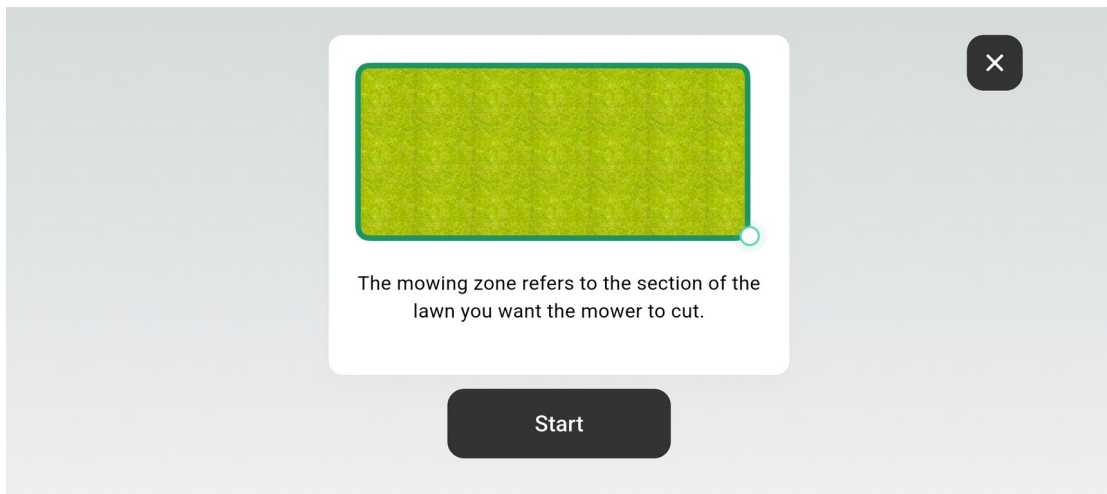
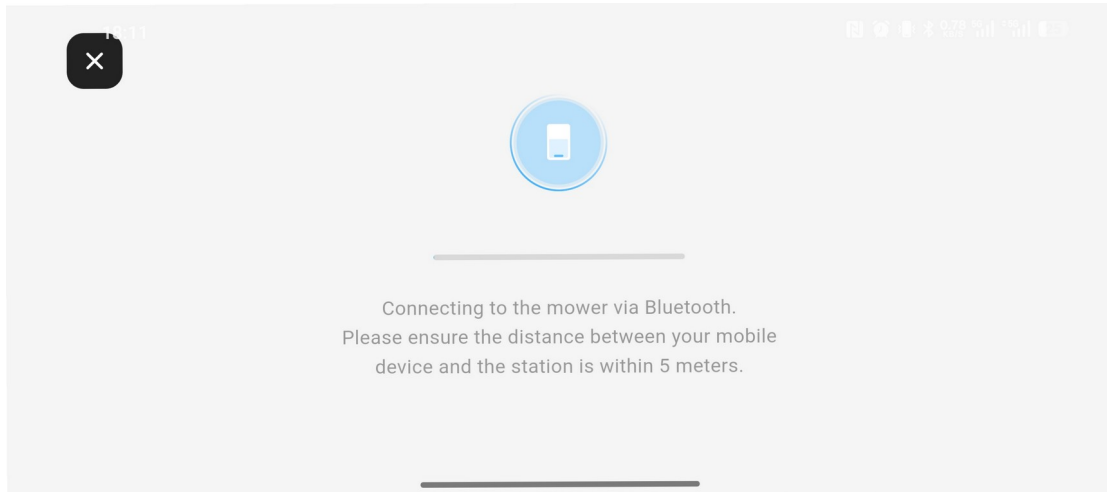
- Manually create mowing areas
 - Select "Mowing Zone"



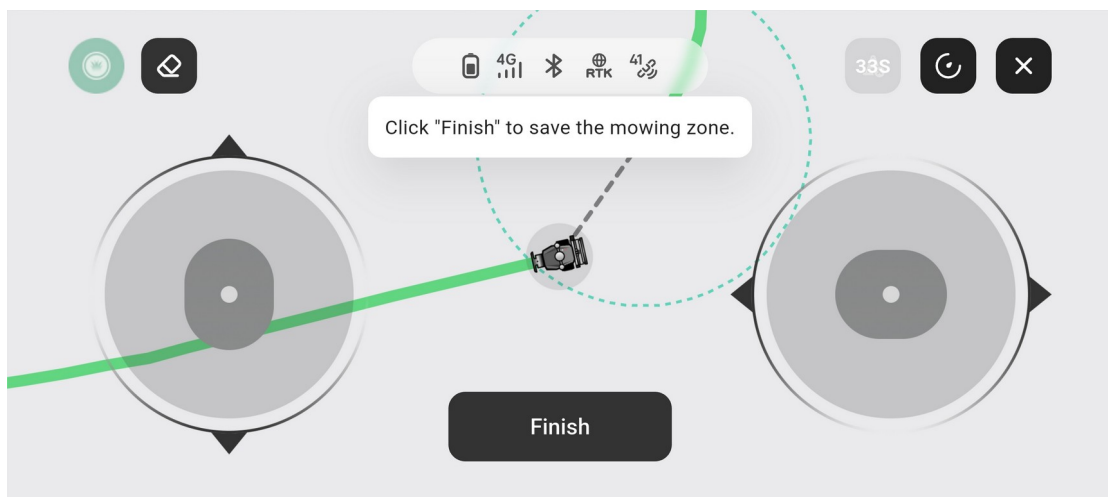
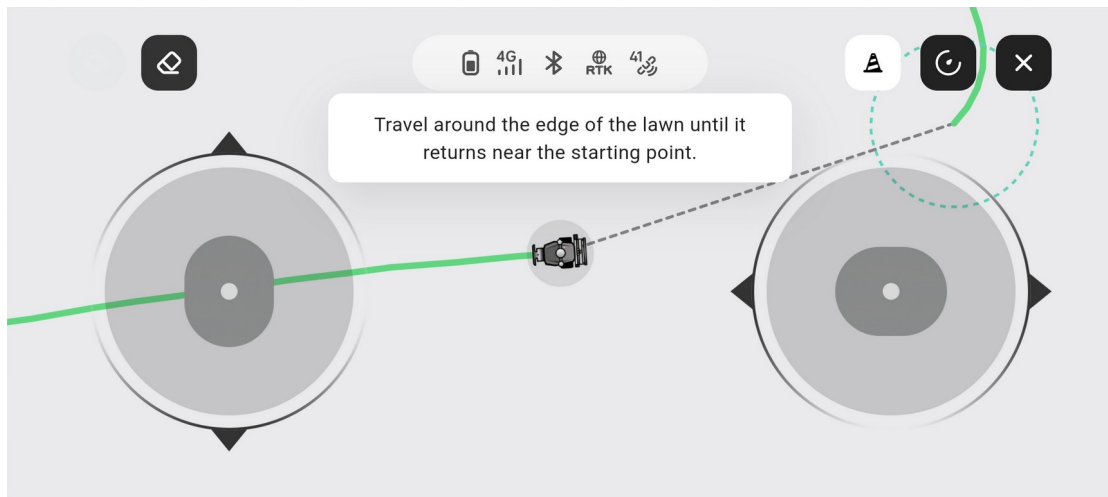
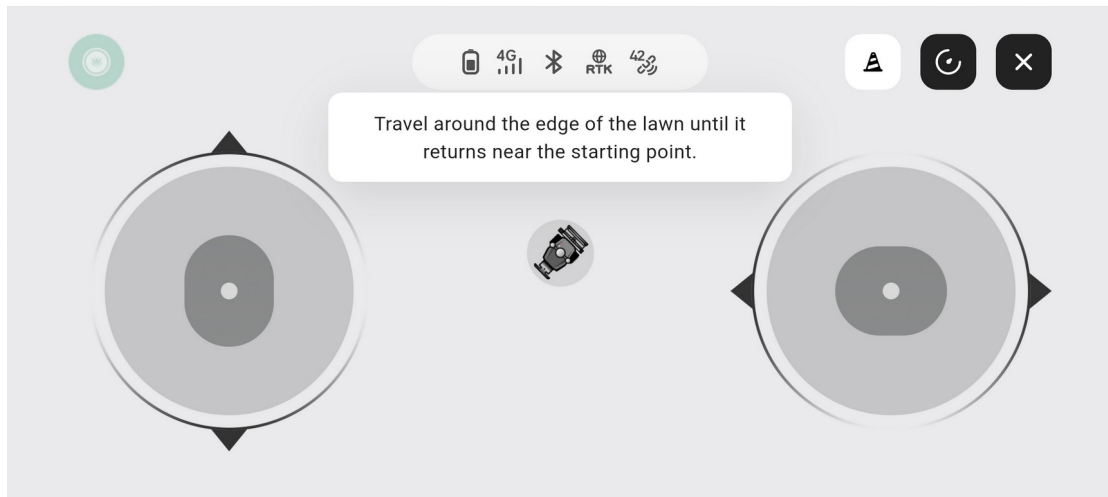
- Create "Without Passage"



- Bluetooth connection car machine, remote control lawn mower creation



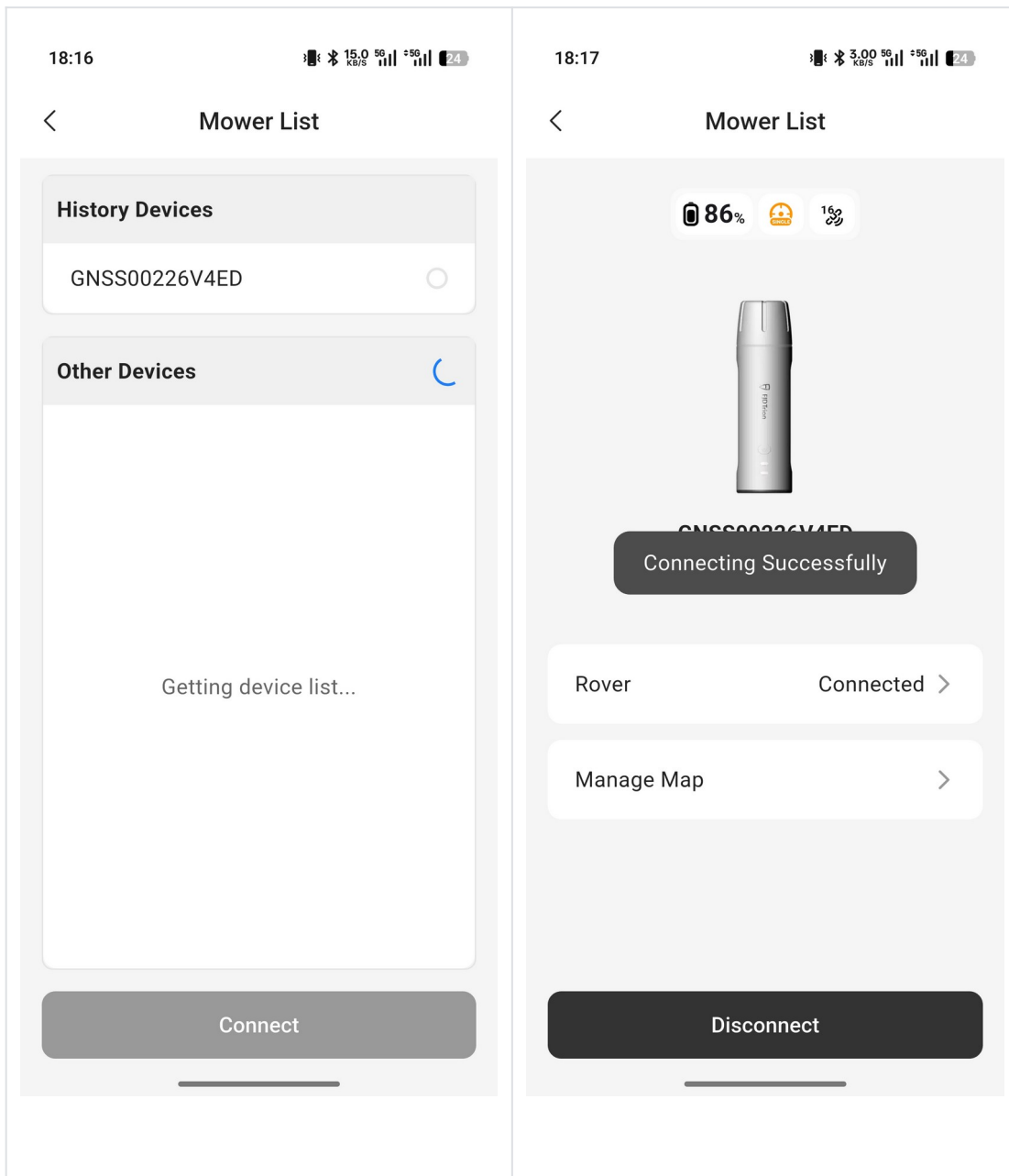
- Click "Next" from the starting point of the expected target work area, and the remote control car machine creates a closed-loop area, that is, the work area



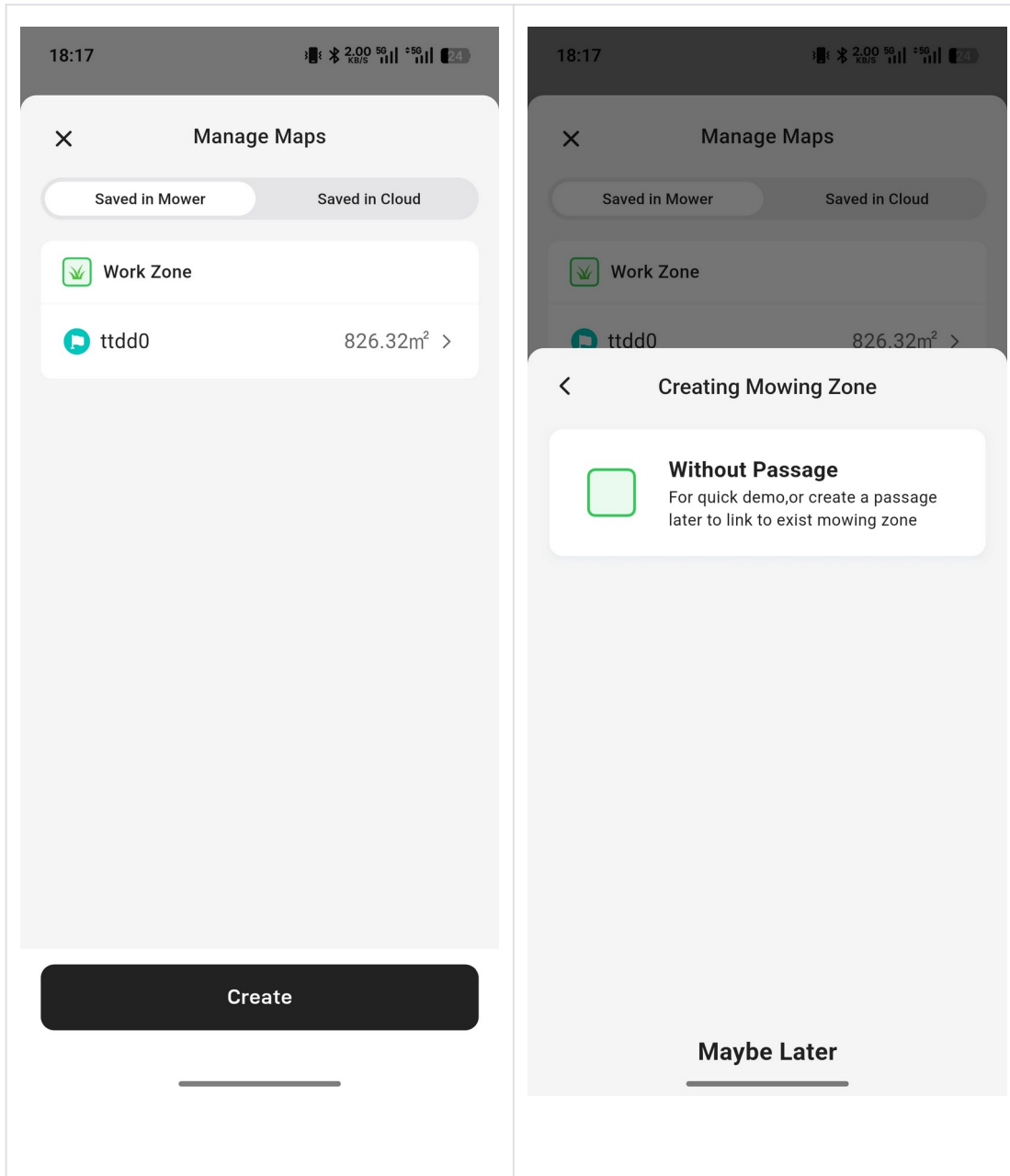
- After completion, name this area and the map will be automatically saved to the Cloud Computing Platform.



- Create mowing areas with dots
 - Connecting the dotter (settings - accessories list - handheld dotters)



- click "Manage Map" and "Create" to create a map



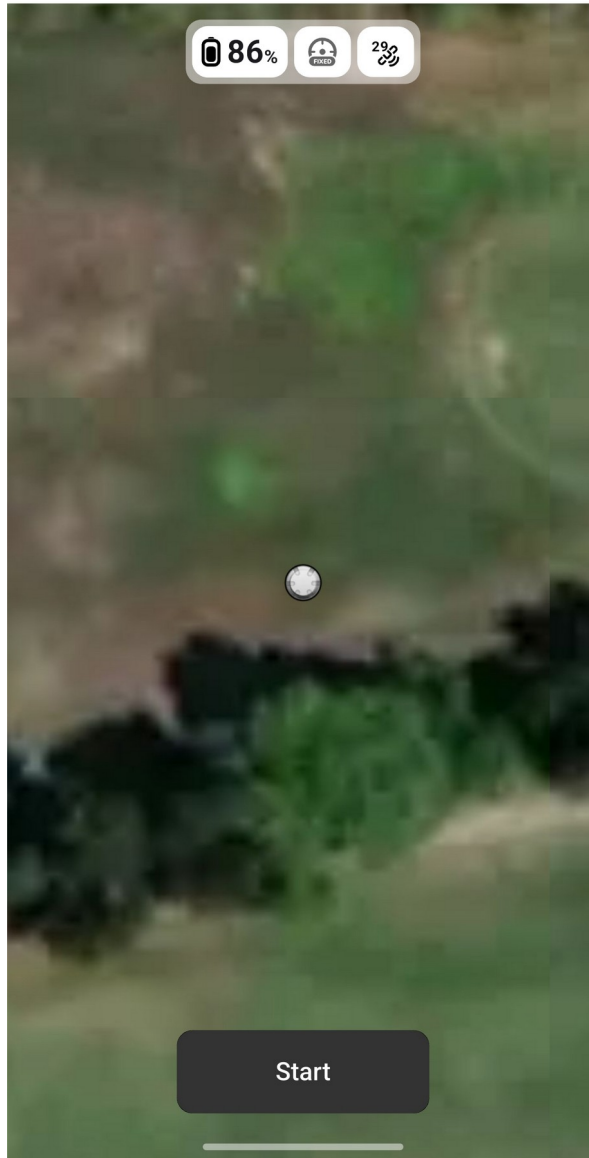
- Go to the target plot area with the handheld recorder, and click "start" to enter the recording process.

18:18

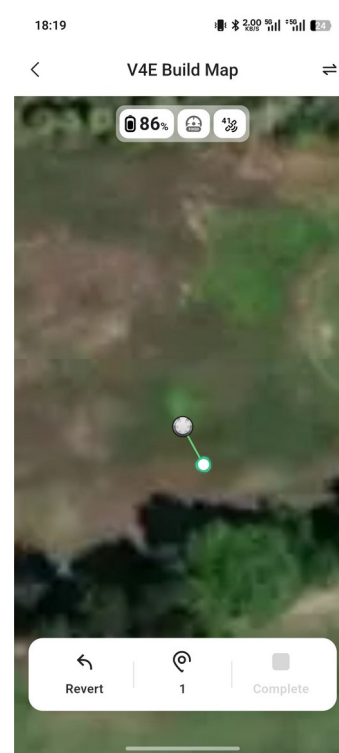
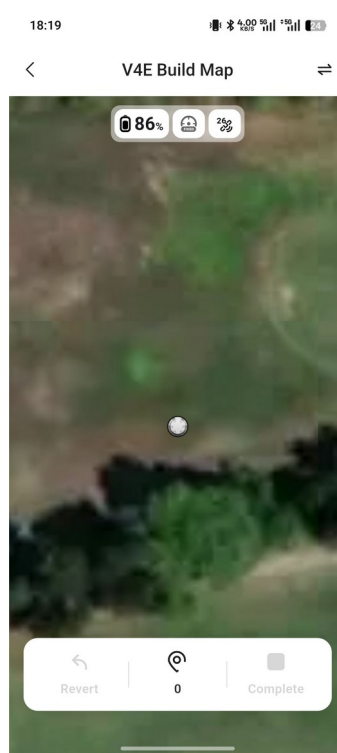
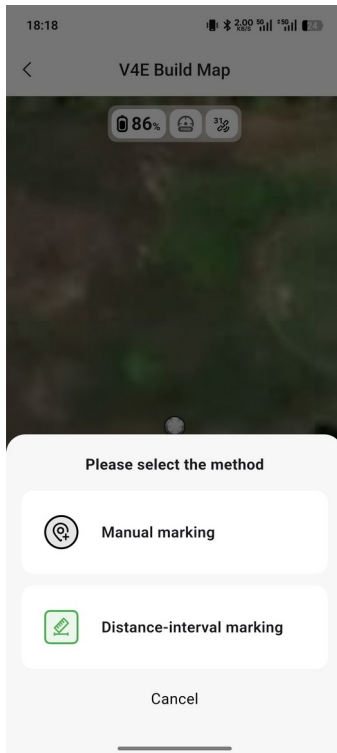
9.00 KB/s 5G 5G 24



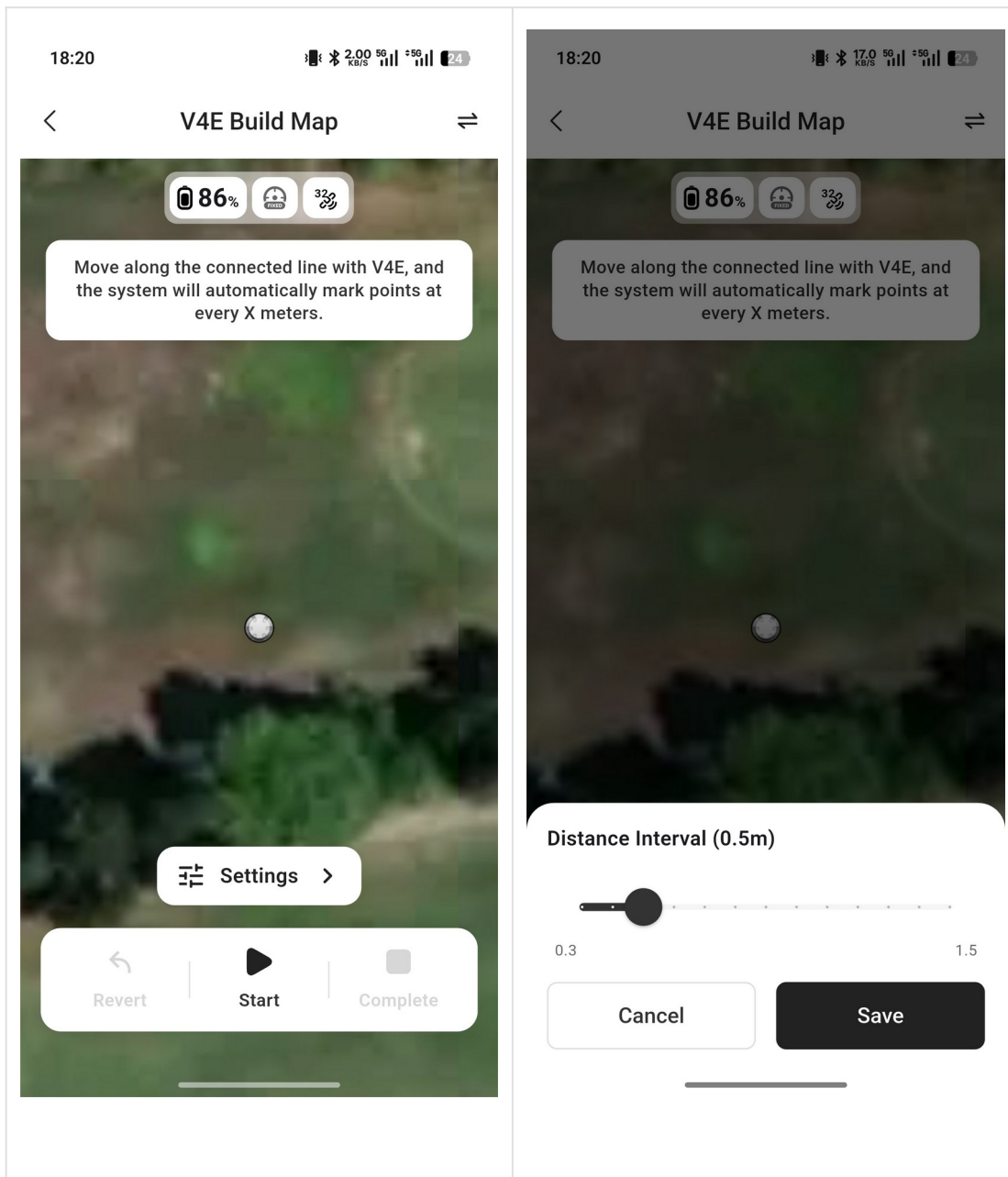
V4E Build Map



- Manual marking: In the APP interface, manually click the "Dot" icon to mark the coordinate point information and create the job area boundary.



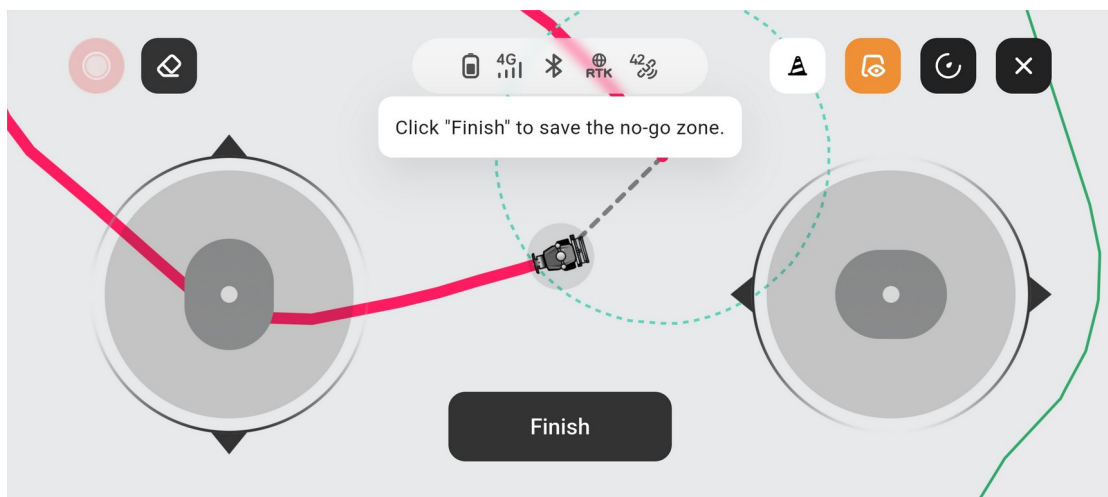
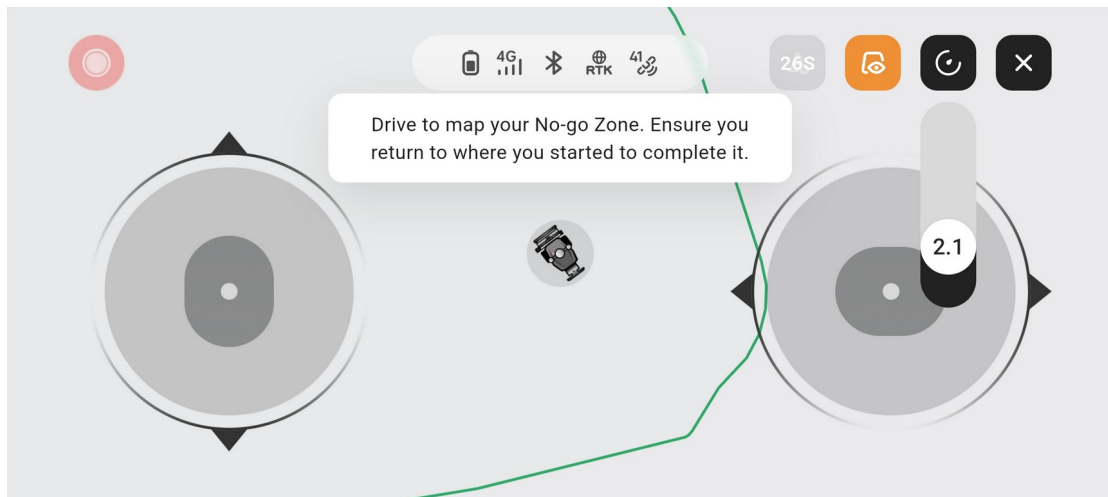
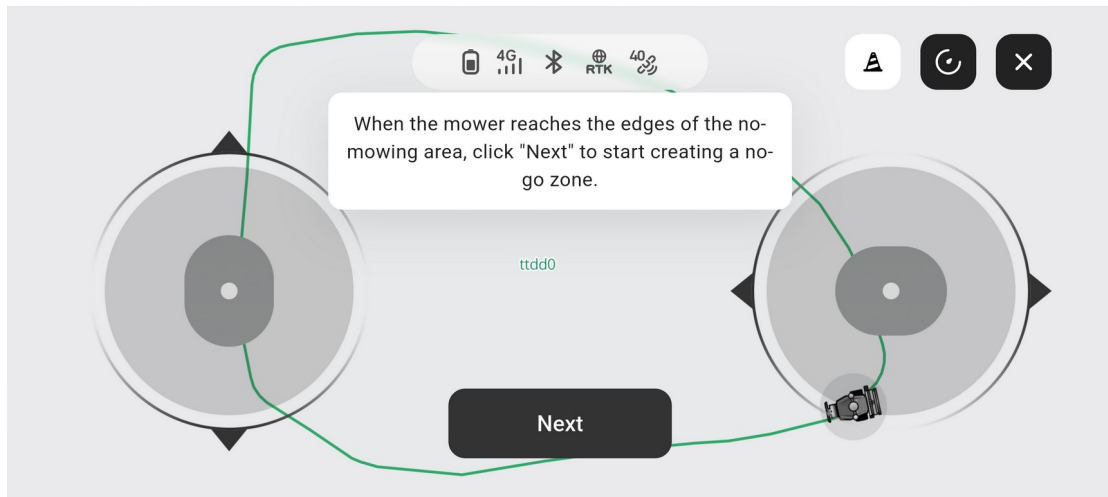
- Distance-interval marking: The APP interface sets the distance interval for recording, and the system marks points every certain distance based on the moving distance. Click "Start" to start the job area marking



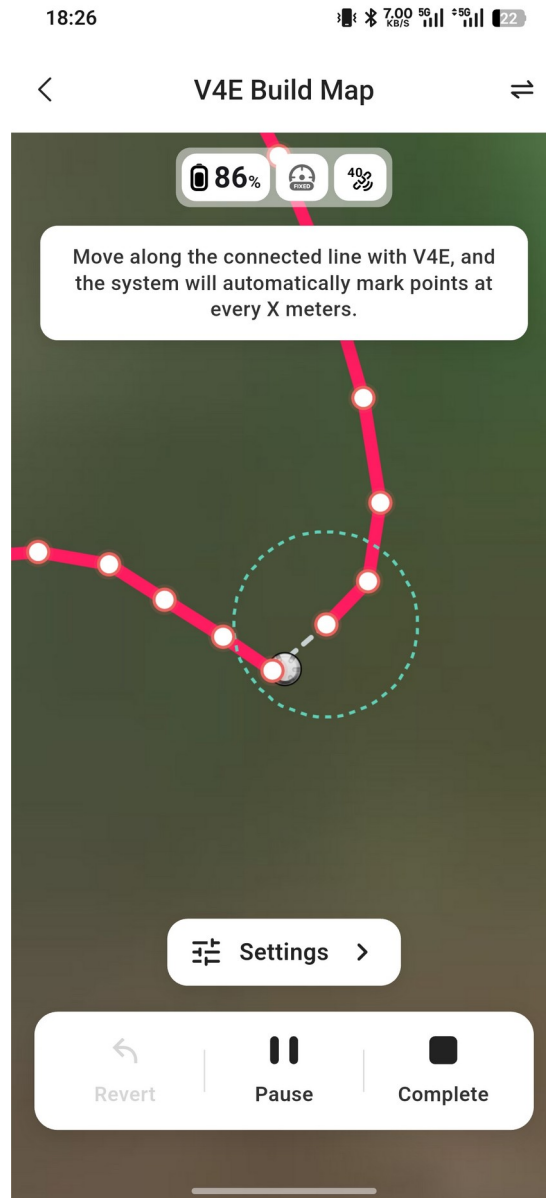
- Creation completed.

8.8.2 Create job forbidden area

- Manually create job forbidden area
 - Function entry: View in the map - Manage maps - New - No-go Zone
 - Bluetooth connected car system
 - Create forbidden area



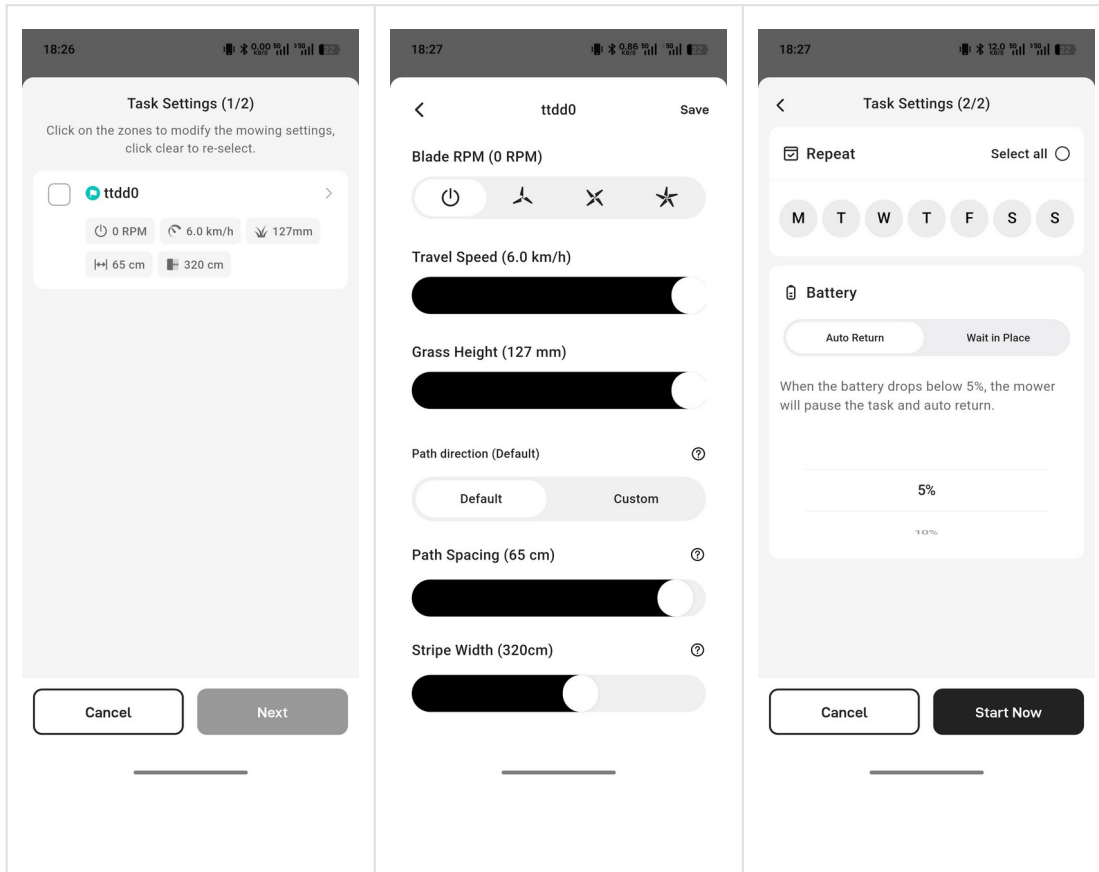
- Create mowing areas with dots
- Select the target job area after connecting the logger
- Mark the forbidden area, refer to 8.8.1 dotter map creation



- Name and save after creation is complete

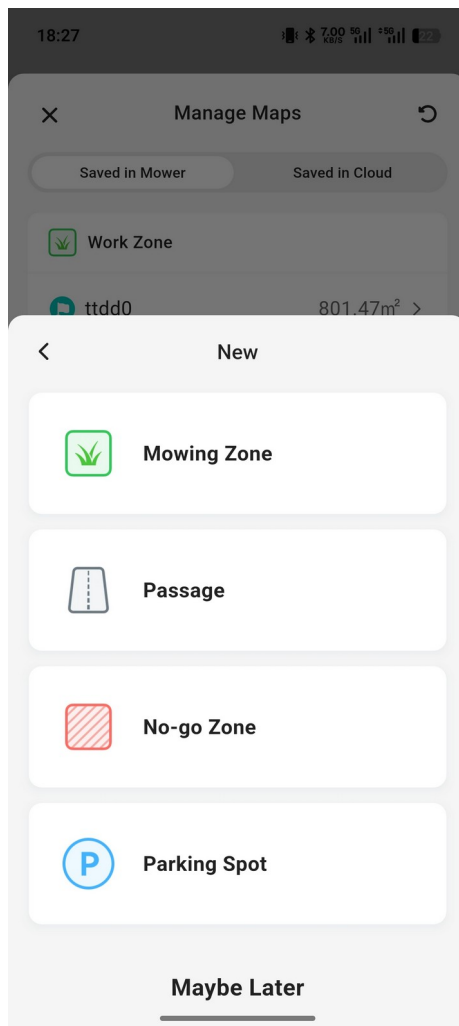
8.8.3 No-channel fast operation

- Remote control car machine to the mowing area
- Create a mowing task. Entry: Home - Quick Mowing or View on Map - Start
- Set job parameters
- Set "repeat" and "battery" (low battery execution strategy)
- Start mowing task

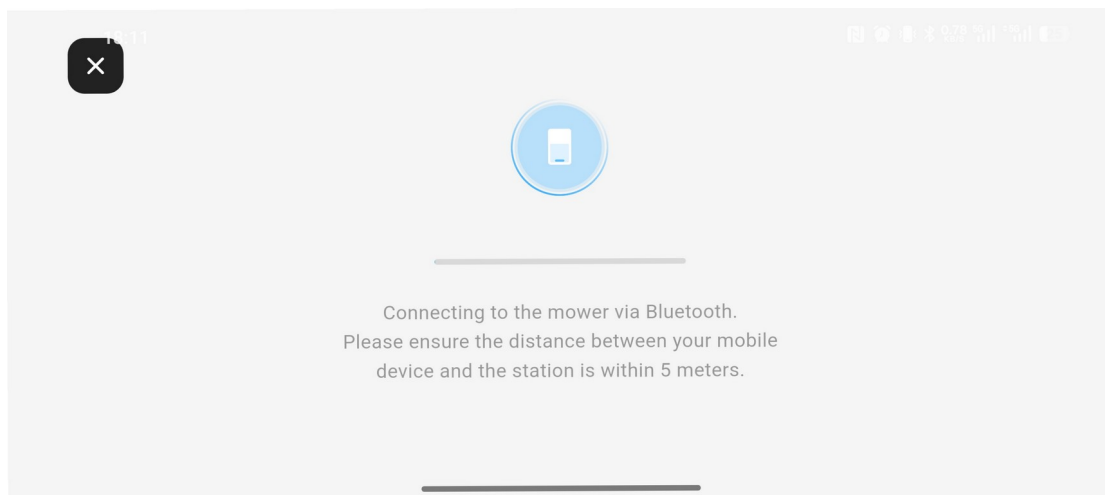


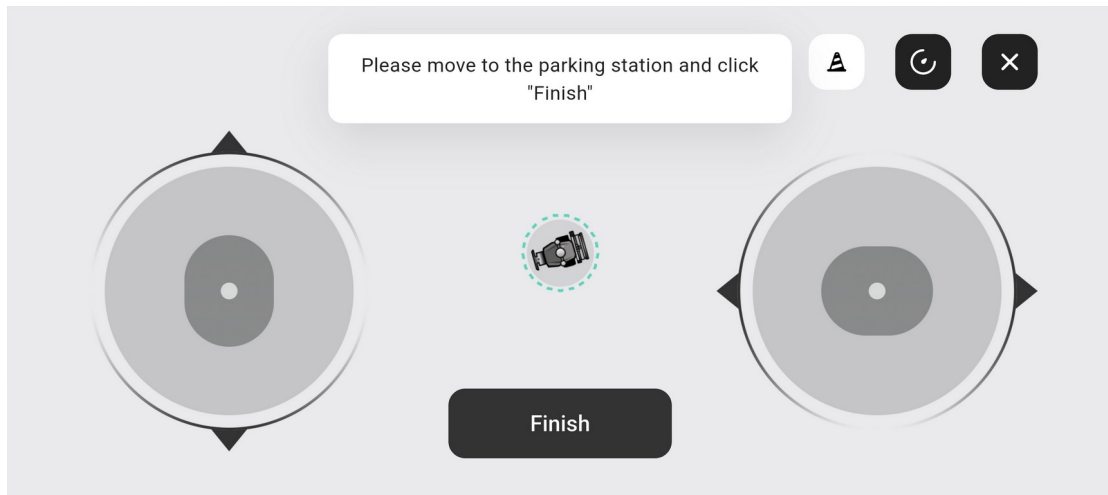
8.8.4 Passage operation

- Create parking spot
 - Function entry: View on Map - New - Parking Spot

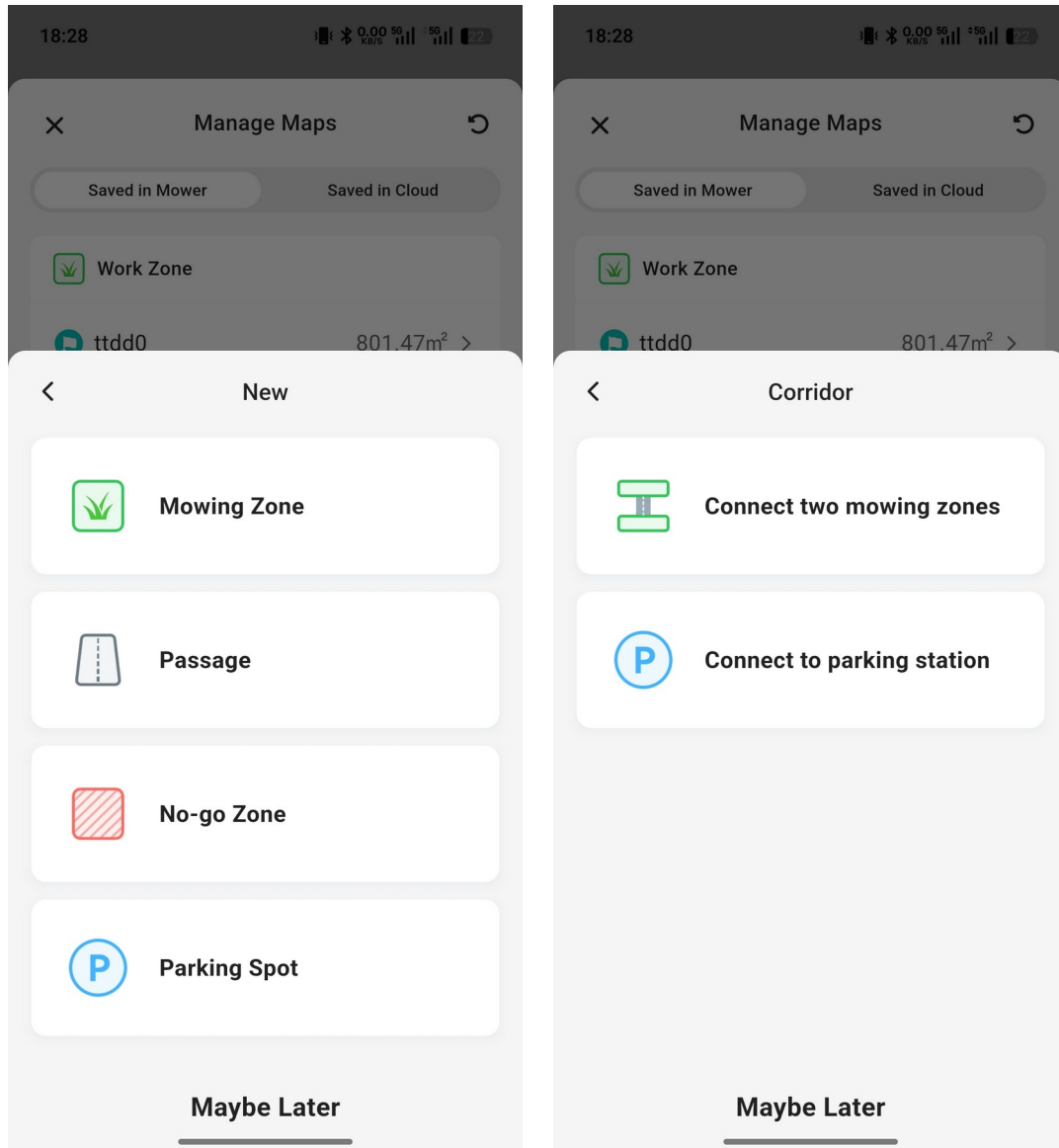


- Bluetooth connection to the car system to create a parking spot

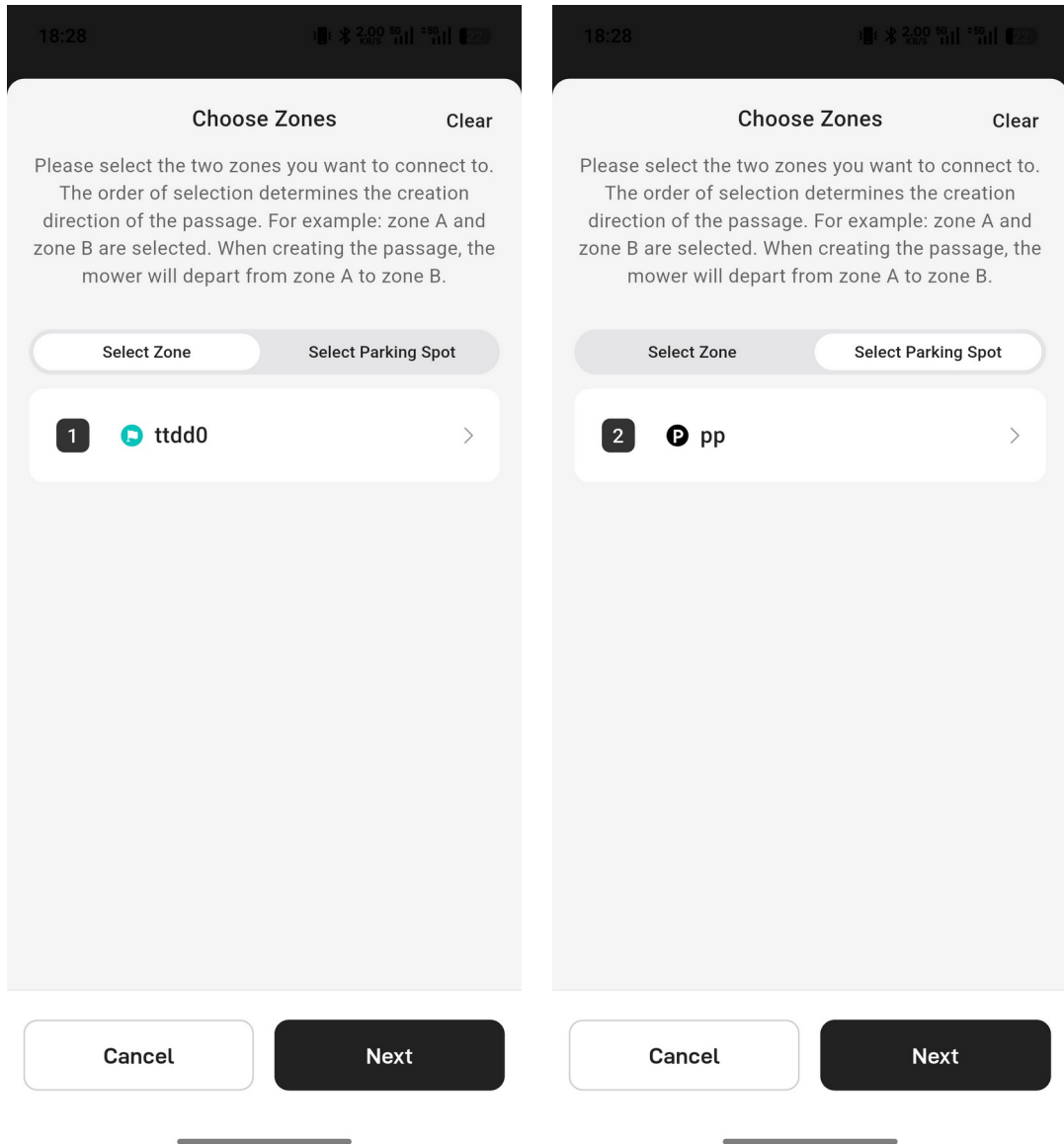




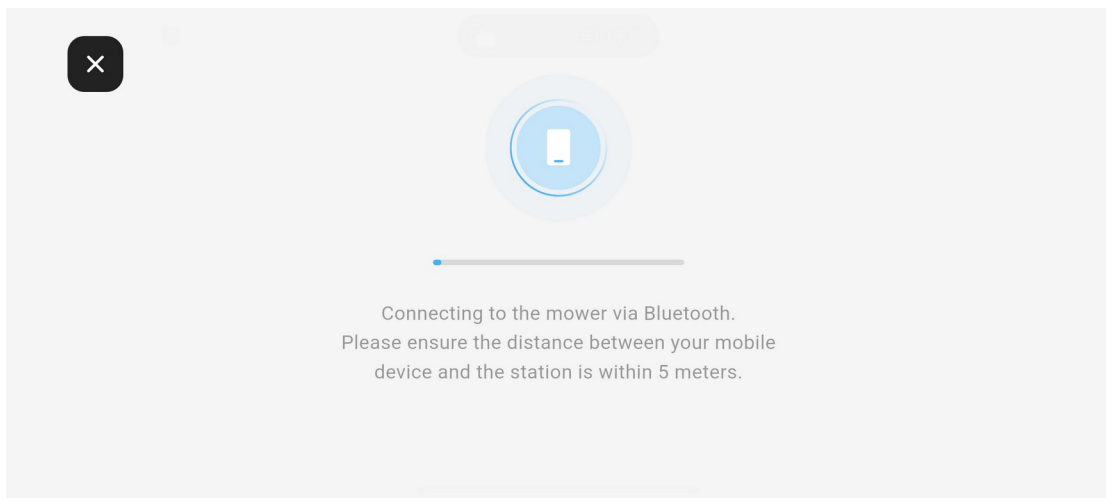
- After selecting a parking spot, click Finish and then name the parking spot and save it to complete the creation.
- New Passage
 - Function Entrance: Manage Maps - New - Passage - Connect to parking station



- Pay attention to the order of departure from the parking station to the work area corresponding to the order of channel creation selection. First select "Parking Spot", then select "Zone".

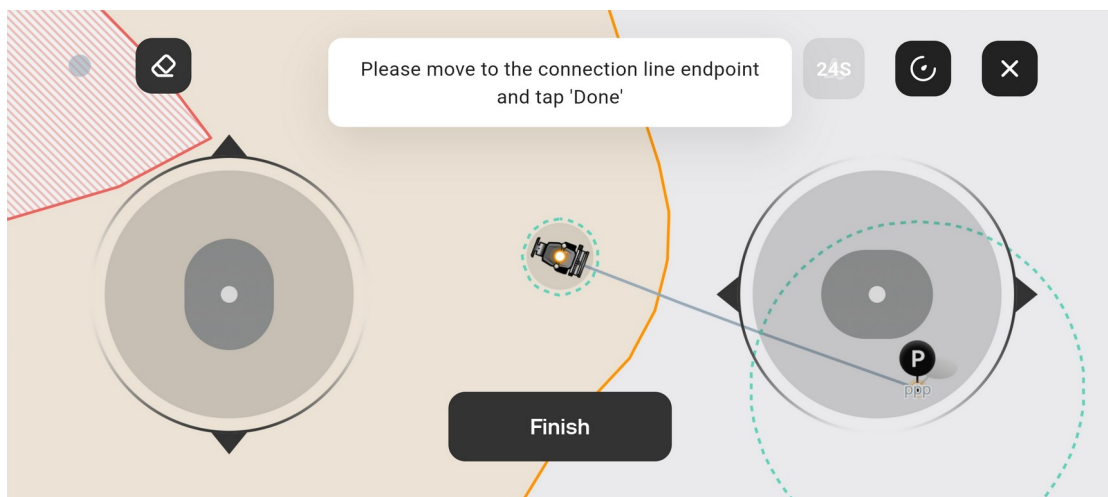
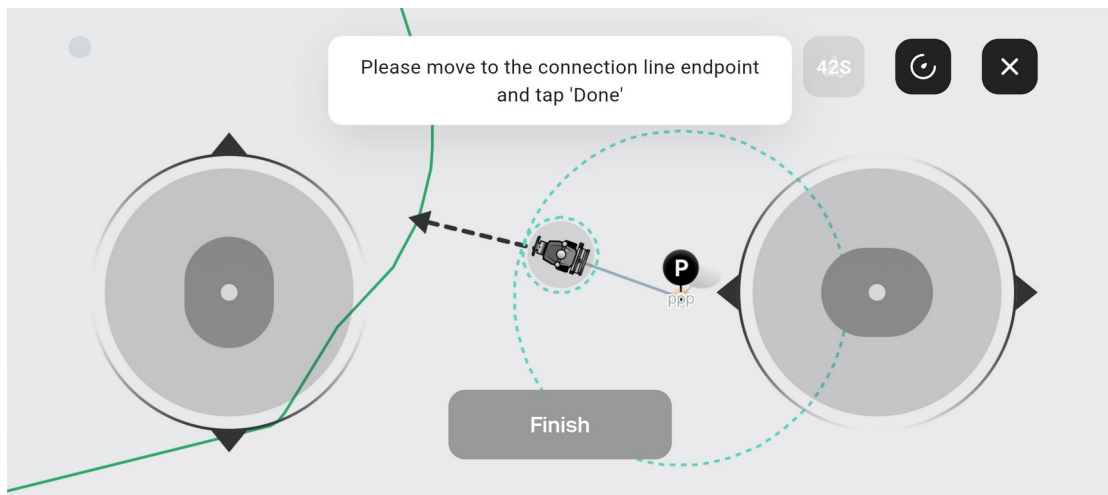


- Bluetooth connection vehicle creates channel

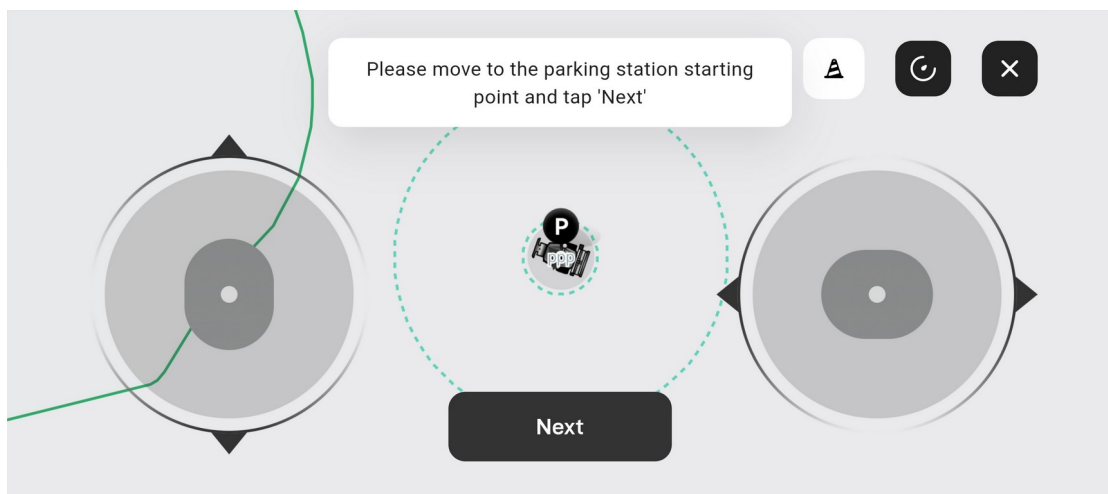


- Remote control vehicle to parking station starting point

- Create target job area channel



- Finish passage creation, name save



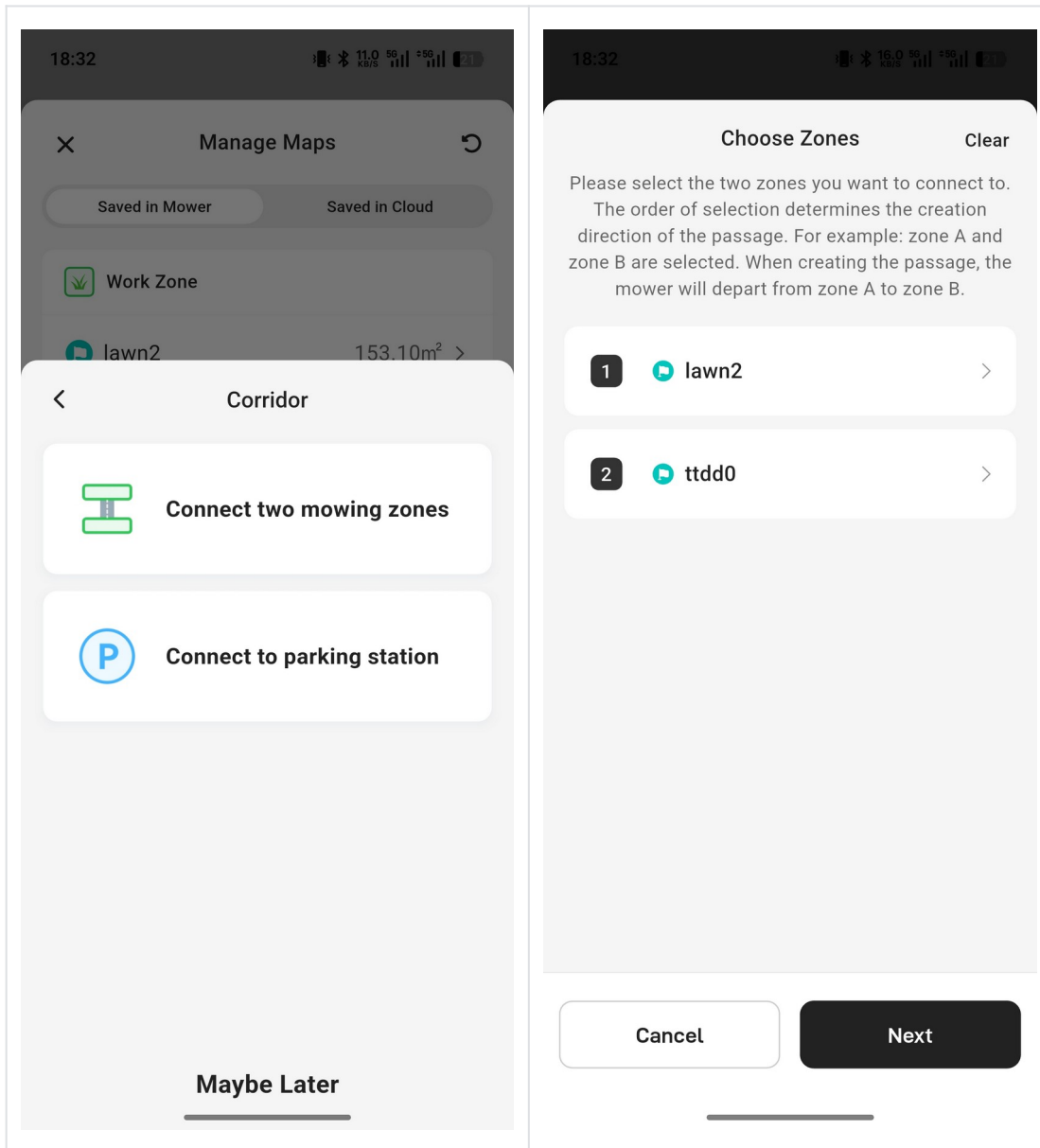
- Start mowing task
 - No need for remote control to the mowing area
 - The lawn mower will depart from the parking point and enter the mowing area

through the passage for mowing operations

- Task creation see 7.8.2

8.8.5 Create a multi-plot job

- Create more maps
- To create a connection line between maps, refer to the 8.8.4 section passage creation steps



- Create a multi-plot mowing task

18:32

0.74 KB/S 5G 5G 21

Task Settings (1/2)

Clear

Click on the zones to modify the mowing settings,
click clear to re-select.



lawn2



0 RPM

6.0 km/h

127mm

65 cm

320 cm



ttdd0



0 RPM

6.0 km/h

127mm

65 cm

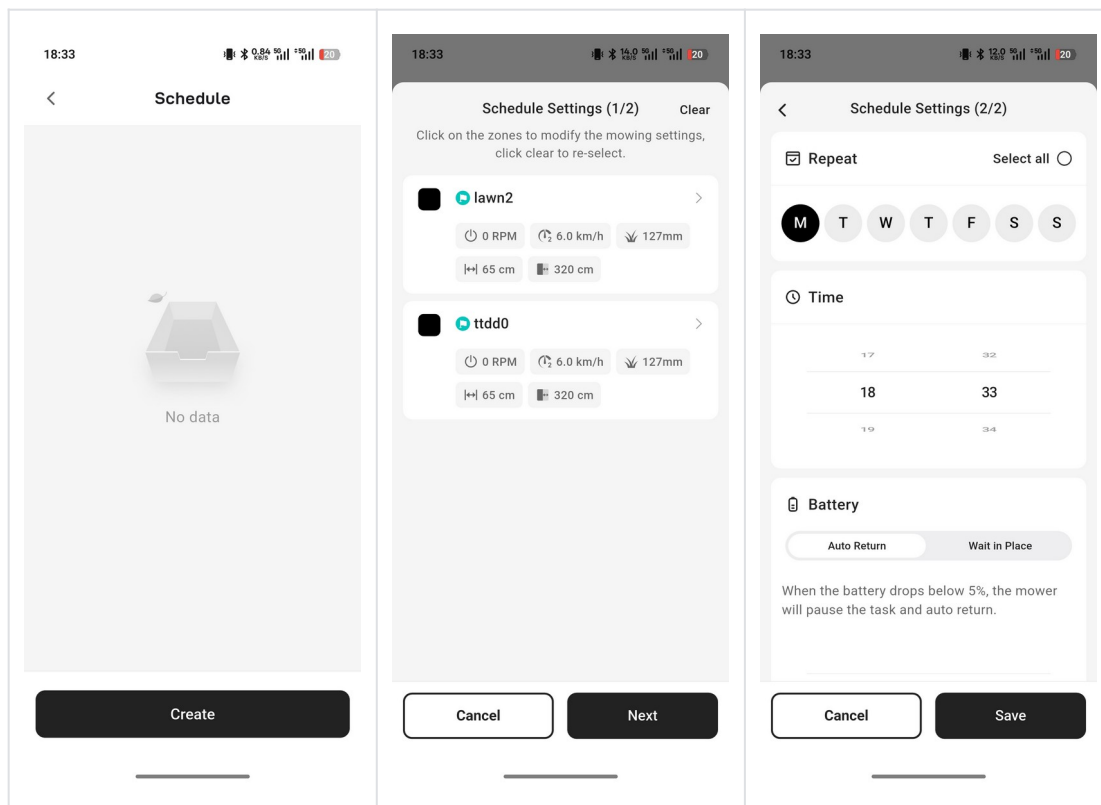
320 cm

Cancel

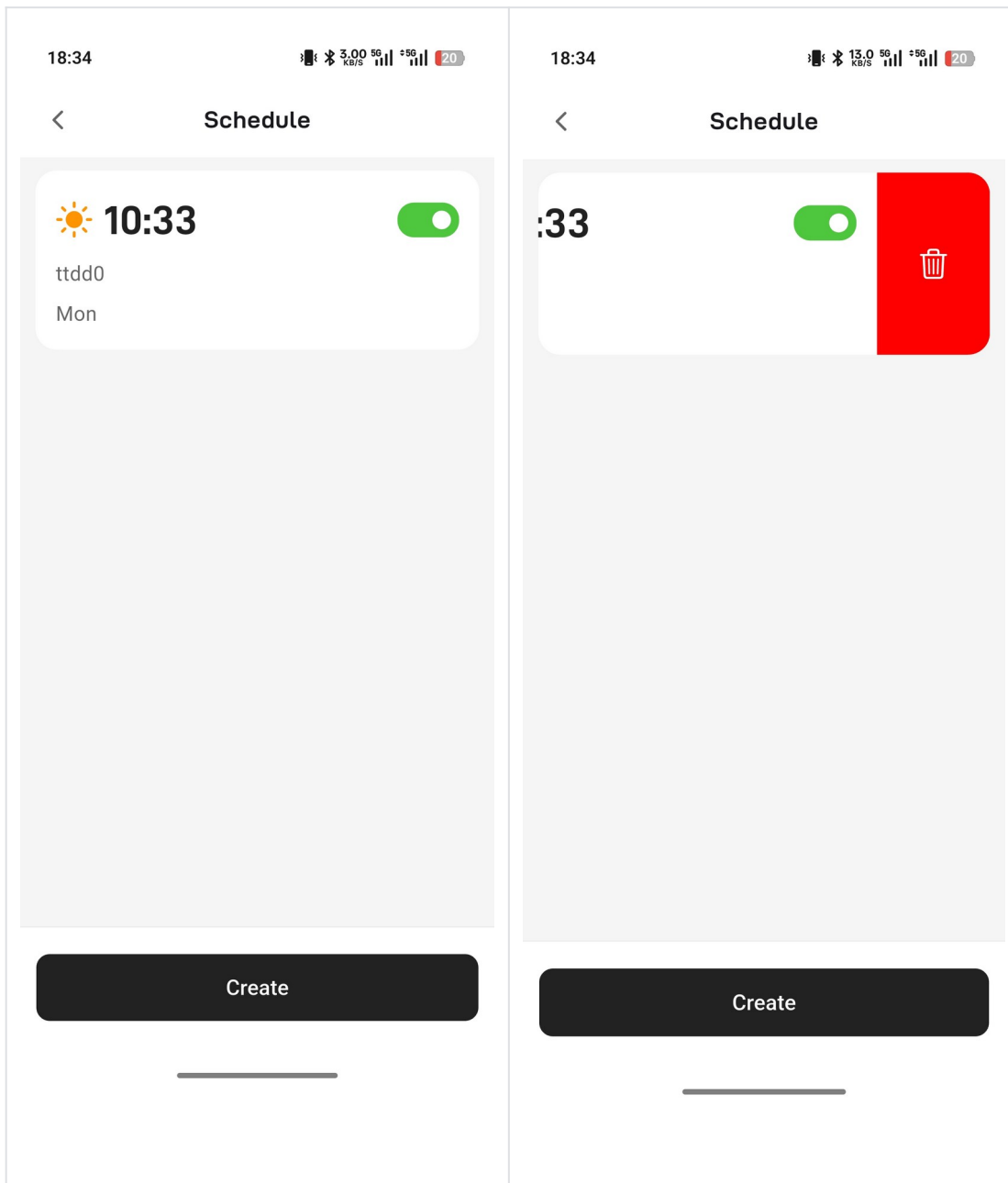
Next

8.8.6 Add mowing operation plan

- Mowing operations support timed scheduling, and tasks that meet the scheduled time will be automatically executed
- Create mowing tasks while setting up work schedules, see Section 8.8.2
- Separate maintenance plan
 - Function entry: Home - Set up your plan
 - Add plan
 - Select the planned task area
 - Set duty cycle
 - Save



- Plan management
 - The mowing task plan provides independent switches that can be turned on or off based on user needs.
 - Swipe left to delete a plan



8.9 Daily maintenance sharpening

- Function entry: Settings - Maintenance info - Maintenance

18:34

0.78 KB/S 5G 5G 20



Maintenance Info

10000.0 m²

Remaining to next maintenance

Maintenance

Reset

Maintenance threshold 10000m² >

Default duration 10min >

Accumulated area since last 0.0m²

No maintenance records

- Bluetooth connecting

18:34

13.0 KB/S 5G 5G 20

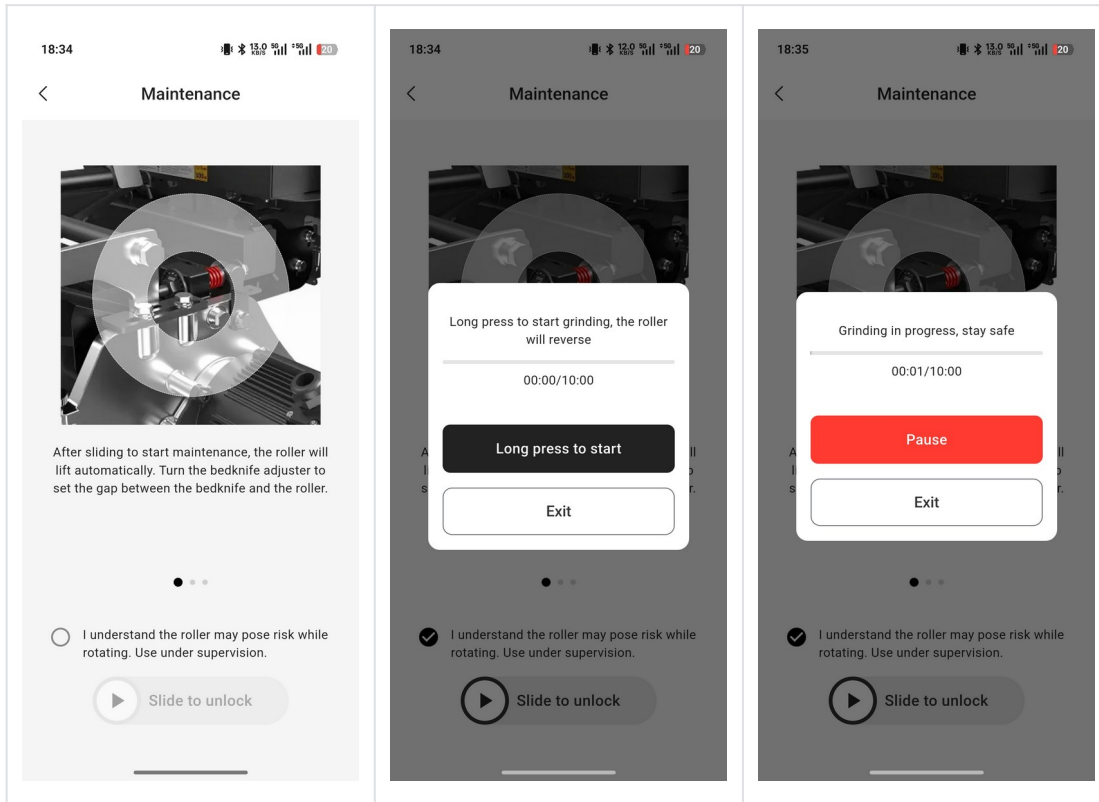


Maintenance



Connecting to the mower via Bluetooth.
Please ensure the distance between your
mobile device and the station is within 5
meters.

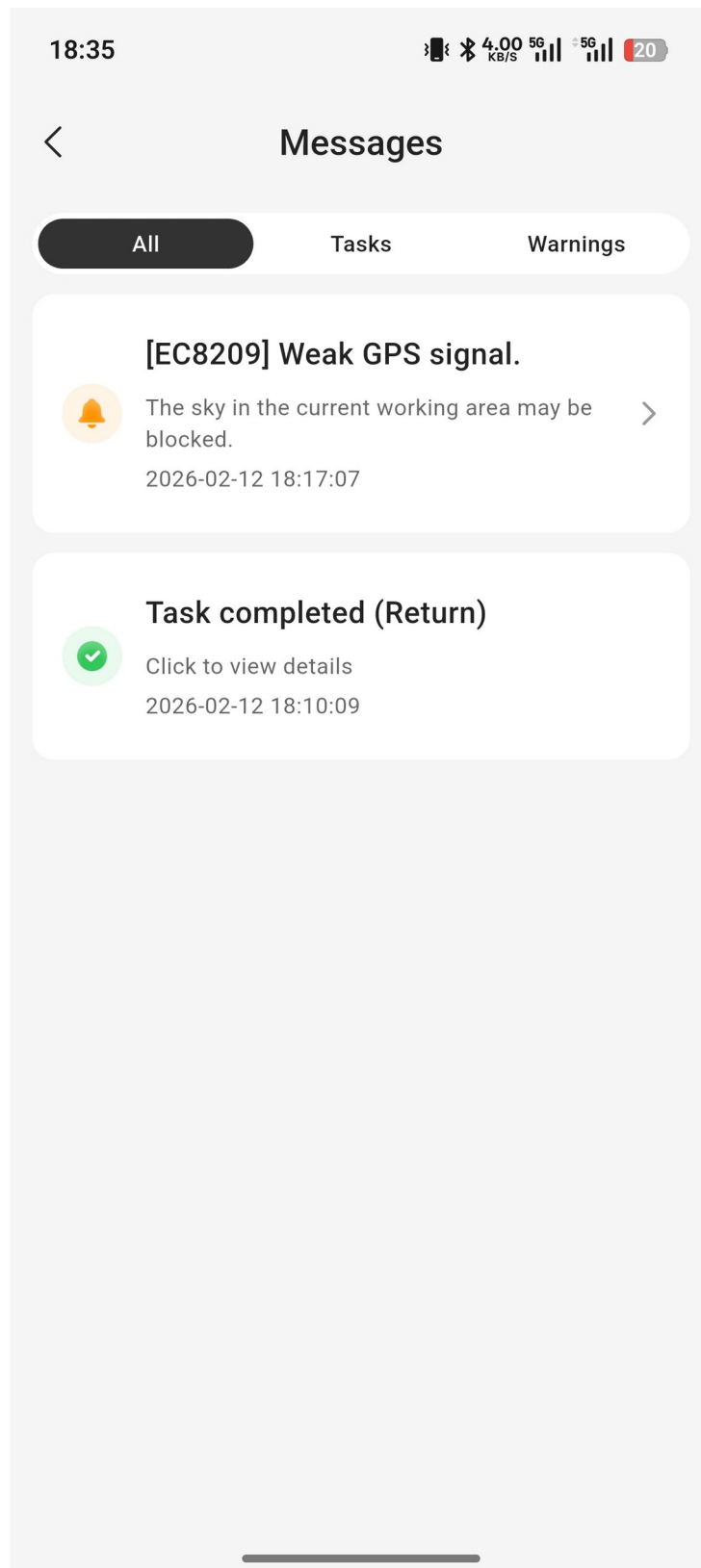
-
- Enter the sharpening operation: confirm the risk warning, add grinding sand, long press the start button to start the reverse cylinder for sharpening (make sure the mobile phone Bluetooth is connected to the machine), and the sharpening operation time is determined based on the defined maintenance time



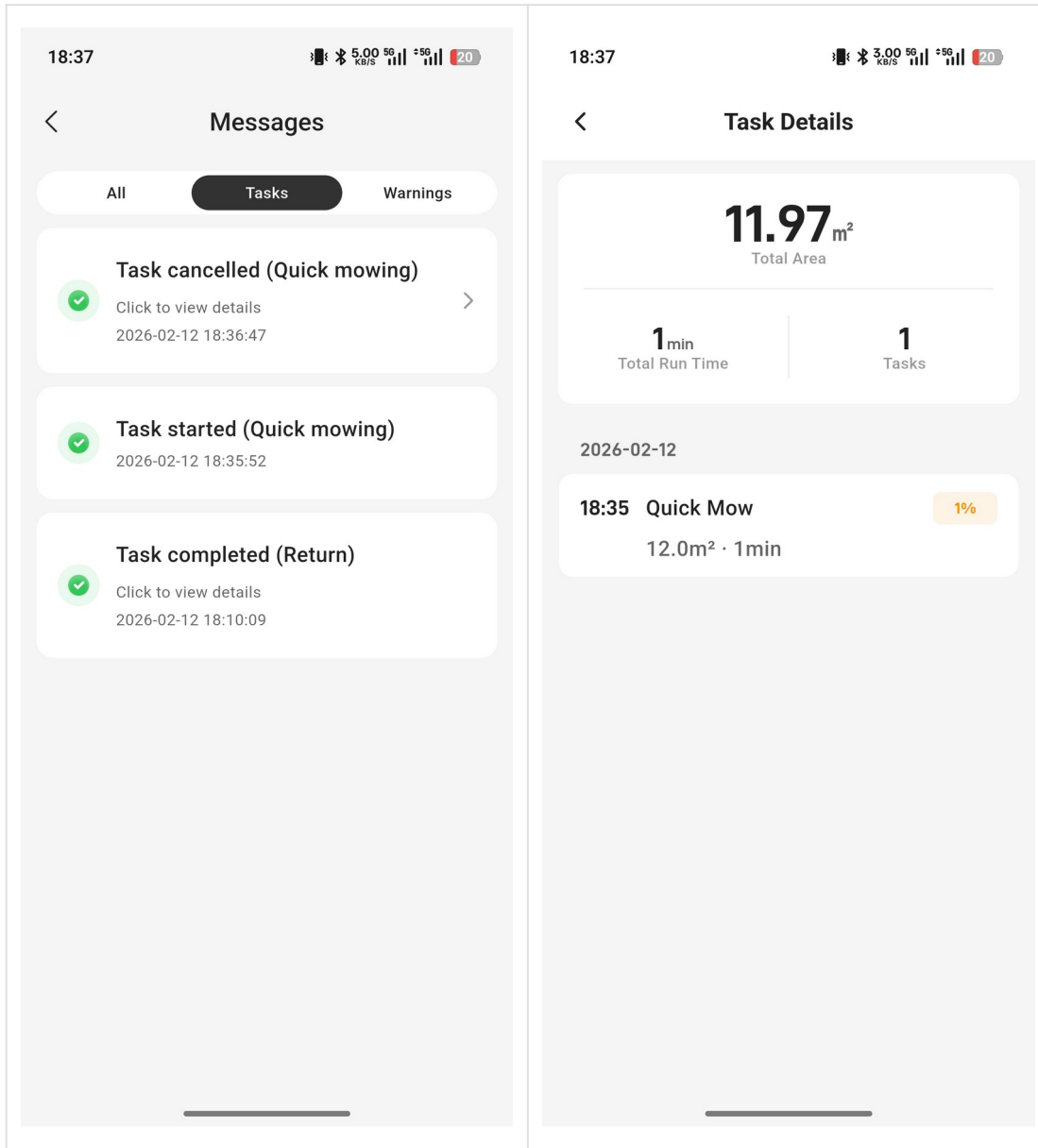
- After sharpening the knife, the maintenance information will be reset and the area for the next maintenance will be accumulated again.

8.10 APP message

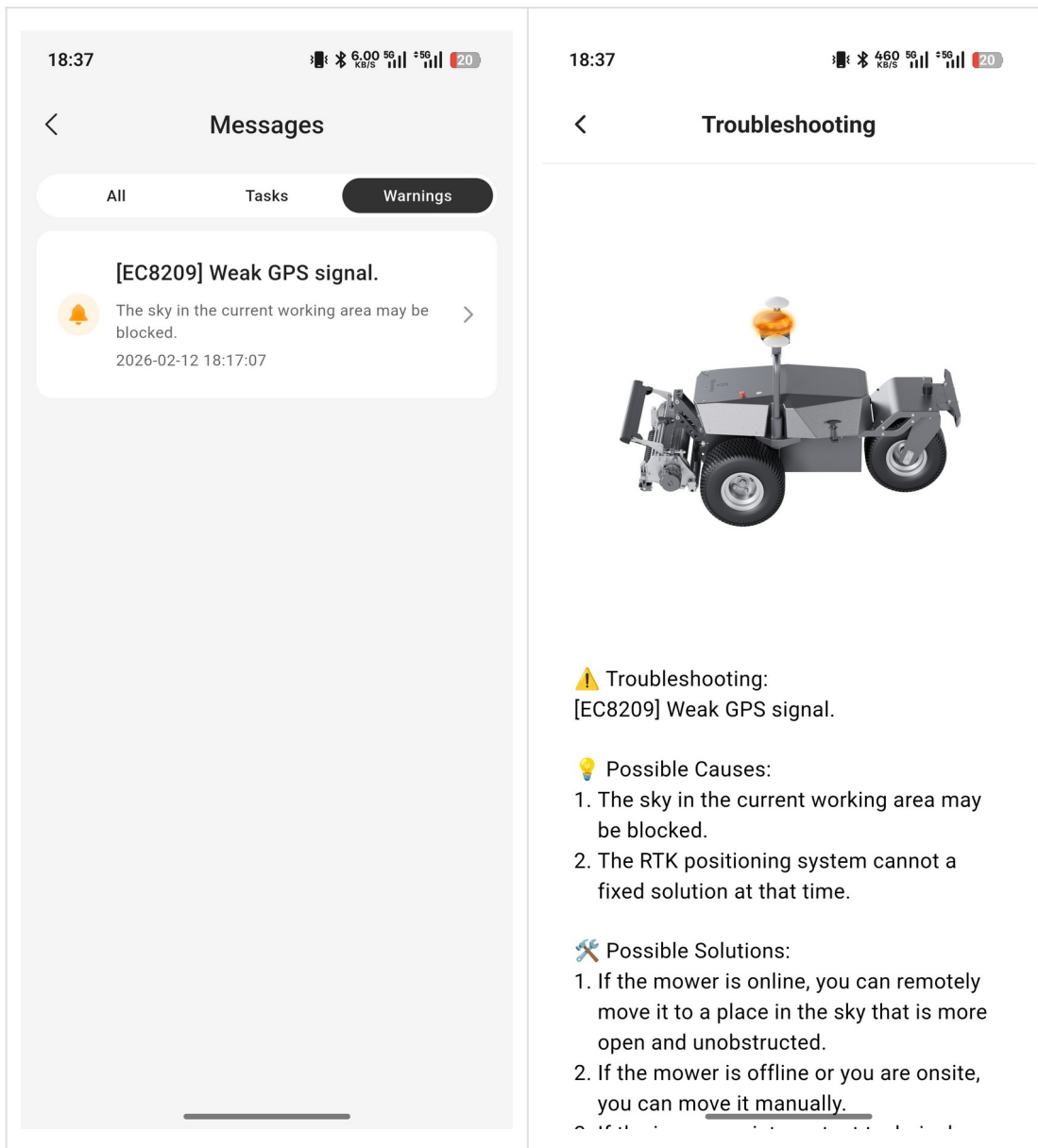
- Based on lawn mower operation and machine alarm information, push notification



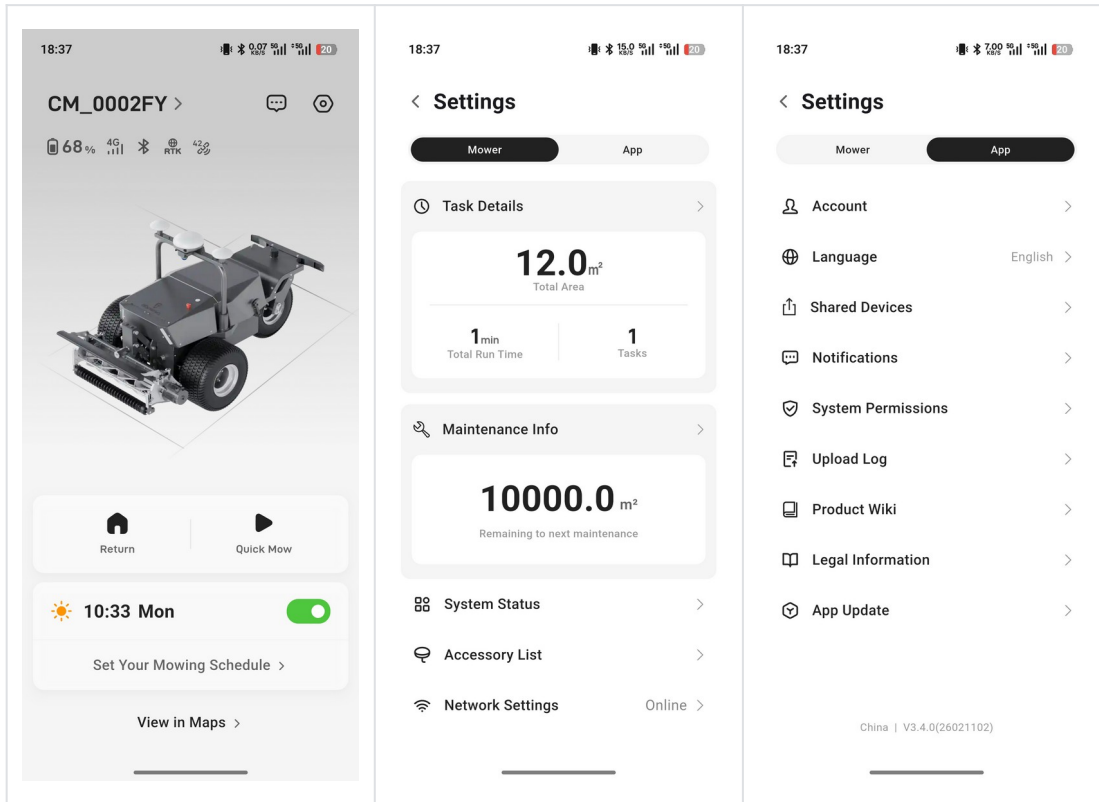
- Task push notifications, you can view task message details (mowing history)



- Warning push notifications can view warning message details to assist in locating vehicle faults



8.11 APP (Account) Settings



APP (Account) Settings

Function item

Explanation

Account

Account management, with the ability to reset passwords, log out, or delete accounts

Language

APP multi-language support

Shared devices

Manage your own or others' shared devices

Notification

Notification settings, can enable or disable vehicle push notifications based on the specified lawn mower, and can also set the Do Not Disturb period

System Permissions (Mobile)

Mobile system permission settings, including push notifications, access to the camera, access to the album, access to the location, access to Bluetooth

Upload logs

Upload application or lawn mower equipment logs for easy technical after-sales analysis

Products Lingo

Introduction of other different models of products under FJ

Legal information

View User Agreement and Privacy Policy

App update

Check for app updates

Version number display

Current APP version number display

9. Maintenance

9.1 Maintenance plan

Cycle	Maintenance matters
Before first use	<ul style="list-style-type: none">• Start up and check if there are any fault prompts• Observe if the wheels are loose• Check cylinder status<ul style="list-style-type: none">◦ Check the gap between the cylinder and the bottom knife, and determine whether the test paper is cut cleanly and neatly.◦ Check the mowing height, choose the appropriate mowing height according to the condition of the turf, and adjust it properly.• Inspect components such as bolts, nuts, or bolts for damage, loss, or looseness. Ensure that all protective devices are installed and working properly• To ensure that the operating system and applications remain up-to-date, check for software updates, and if so, install them in a timely manner (regularly update according to reminders).
In use	<ul style="list-style-type: none">• Avoid working for long periods of time on wet grass or rugged terrain.• Periodically pause to check if the blade is entangled with debris.• Avoid colliding with hard objects such as stones, tree roots, etc.





	<ul style="list-style-type: none"> • Avoid working on potholes. • Larger obstacles such as tree trunks, thinner obstacles such as chair legs, etc. are easy to get stuck in the machine. Please circle them into a forbidden area
Scheduled maintenance	<ul style="list-style-type: none"> • Each working area requires maintenance of the cylinder and bottom knife to ensure that the cylinder is sharp <ul style="list-style-type: none"> ◦ Clear cylinder surface ◦ Use professional grinding sand ◦ Click "Start Maintenance" on the maintenance interface, and start the reverse cylinder grinding operation after connecting to the lawn mower via Bluetooth • Regularly check the bottom of the cylinder and maintain it. If the wear is severe, consider using a professional cylinder grinder for maintenance or replacement of parts • Check for looseness of rear wheel bolts and tighten • Check the front wheel blockage and clean the grass clippings • Wipe the front glass of the machine and camera

9.2 Storage lawn mower

If you plan to not use this machine for a long time, please follow these steps to store it.


- Clean the lawn mower as described in the previous section.
- Check the cylinder, replace or grind it if necessary (see the Maintenance section), and place the cylinder group on a level ground.
- Store the lawn mower indoors in a dry, clean, well-ventilated, and out of reach of children. Do not place it next to corrosive materials such as fertilizers or rock salt.
- Do not cover the lawnmower with solid plastic sheets. Plastic coverings can trap moisture around the lawnmower, causing rust and corrosion.
- Thoroughly inspect for any worn or damaged parts that need to be replaced and order from the dealer.
- Check the tire pressure every month to prevent tire leaks.
- For more information on battery pack maintenance, please refer to the battery pack maintenance section of this manual.

9.3 Battery maintenance

	During maintenance, only batteries designated by Fengjiang Intelligence can be used for replacement. Using any other parts may cause danger or product damage.
	Do not smoke when repairing batteries.
	Be sure to wear safety glasses and protective clothing near the battery. Use insulated tools.
	It is not recommended to use compressed dry air as a cleaning method for chargers. If using compressed air for cleaning is the only available method, always wear goggles. If the environment is dusty, also wear a dust mask.

Your lawnmower is powered by batteries, which, if properly maintained, will provide years of service life. To receive proper care, please follow the instructions below.

- When not using the lawnmower, please disconnect the power switch of the car in time to reduce unnecessary battery consumption.

	Charge with a charger approved by Fengjiang Intelligence. Incorrect battery charging will invalidate the warranty and may result in equipment damage, serious injury, or death.
---	---

- Each time the battery is repaired, check whether the battery cable is firmly fixed to the battery.
- Prevent grass, dirt, and debris from accumulating near the battery terminals.
- After the battery undervoltage protection, the battery should not be kept in a discharge state for a long time, otherwise the battery will be damaged.
- Charge the battery in a ventilated and dry place away from sparks or air currents. Do not let the charger come into contact with rainwater, steam, or liquids.
- The charger recommended by Fengjiang Intelligence only charges the battery provided by Fengjiang Intelligence.
- Do not touch the uninsulated parts of the charger electrode or output connector.

To extend the life of the battery pack and ensure that the module remains in good condition, please follow the instructions below.

- Excessive discharge of the battery pack means that the battery life will be shortened and the battery may be permanently damaged.
- When the battery is fully discharged and turned off, please charge it as soon as possible. Even if you only charge the battery for 5-10 minutes, it is still beneficial and does not need to be fully charged. It is best to charge the battery within 24 hours after it is fully

discharged and turned off.

- If the battery pack is not used for a long time (several days or weeks), please disconnect the power switch in the car to reduce the standby loss of the battery and extend the storage time of the battery pack.
- If the battery needs to be stored for a long time, please ensure that the battery is about 50% charged before starting storage, and regularly recharge the battery to more than 50% for three months to keep the battery in a healthy state.
- When the battery pack needs to be stored for a long time, it is recommended to store it in an environment with a temperature of 25 ° C (77 ° F). When the storage environment temperature is in the range of -20 ° C to 45 ° C (-4 ° F to 113 ° F), it is recommended to store it for no more than one month; when the storage environment temperature is in the range of 0 ° C to 35 ° C (32 ° F to 95 ° F), it is recommended to store it for no more than six months.
- The optimum working temperature for discharge is -15 ° C to 50 ° C (5 ° F to 122 ° F), and it is recommended to use it within the above temperature range.
- Battery packs should be stored without severe vibration.
- **It is recommended to fully charge the battery every 3 months to correct the SOC of the battery.**
- Battery maintenance tips:
 - Charge the battery before it runs out
 - Avoid recharging fully charged batteries
 - Charge at suitable room temperature and booster charge after battery cools

9.4 Maintenance points

- Park the lawn mower on a level ground. Make sure the cylinder switch is in the "off" state, raise the cutting deck, and press the emergency stop switch.





Before adjusting, cleaning, or repairing, wait for all movements to stop. Repairs or maintenance that require electricity can only be performed by trained maintenance personnel. Also, read the safety warning instructions in this manual.

- Any maintenance operation that requires removal of the safety cover must be performed by a trained service technician.
- By keeping the battery room and cutting deck clean, prevent the accumulation of garbage, grass clippings, and other debris.
- Clean all dirt and debris in the battery room, electric control box, cutting deck, etc. Do not use water, solvents, hard cleaners, or abrasives.
- Any adjustment or repair of the cylinder or any accessories.
- Do not work under the machine unless it is safely supported by a jack bracket. When

the machine is raised and placed on the jack bracket, ensure that any maintenance operations that require removal of the safety cover must be performed by a trained service technician.

- Before checking the bottom of the cutting deck, make sure the power switch is in the "off" state, that is, the indicator light is off, and the blade switch must not be accidentally activated.
- Use a cleaning brush or similar tool to clean the bottom of the cutting deck, do not approach the body.
- When repairing batteries or sanding lawn mower blades and removing accumulated debris, be sure to wear protective goggles. Do not attempt to make any adjustments or repairs to the mower's cutting deck, cylinder, or any accessories while the lawn mower is running.

The battery used in this lawnmower contains the following toxic and corrosive substances: lithium ions.

	All toxic substances must be handled in a specific way to prevent environmental pollution. Before disposing of damaged or worn lithium-ion batteries, please contact the local waste disposal agency or the local Environmental Protection Agency office for information and specific instructions. Send the batteries to the local recycling or processing center for lithium-ion treatment.
	If the battery ruptures, whether or not there is a leak, do not recharge or use the battery. Dispose of and replace the battery. Do not attempt to repair it! To avoid the risk of injury, explosion, or electric shock, and to avoid damage to the environment, please cover the battery terminals with insulating tape.

- Do not attempt to disassemble or damage any batteries.
- Do not attempt to open the battery.
- If there is a leak, the released electrolyte is corrosive and toxic. Do not let the solution flow into the river or come into contact with the skin, and do not consume it.
- Do not place these batteries in household waste.
- Do not burn.
- Do not place it in a place that will become a landfill for any waste.

10. Troubleshooting

10.1 Mowing function failure and treatment

If unsure, please contact your dealer.

Mowing cannot discharge well	The grass is wet	Work after the lawn is dry
	The grass is long	Increase cutting height, cut twice
	Low cutting height	Increase cutting height
	Work fast	Reduce operating speed
Remnants after cutting	Work fast	Reduce operating speed
	The grass is long	Increase cutting height, cut twice
	Wear or damage to the cylinder	Replace with a new cylinder
	Grass buildup inside the cutting deck	Clean the inside of the cutting deck
Uneven cutting	Work fast	Reduce operating speed
	The cylinder is not sharp enough	Sharpening cylinder
	Blade bending	Replace the new cylinder
	The cutting deck is not level.	Level the cutting deck according to the "Adjusting the Cutting Deck Level and Height" section in this manual.
	The cutting cylinder is worn.	Replace with a new cutting cylinder.
	The roller is set incorrectly.	Adjust the roller height.
	Low tyre pressure.	Inflate the tyres to the recommended pressure.
	Cutting height is too low.	Increase the cutting height.

Cut to the grass (soil)	Turning speed is too fast.	Reduce the turning speed.
	Uneven ground or bumps.	Change the mowing pattern (e.g., cutting direction).
	The cutting cylinder is bent.	Replace with a new cutting cylinder.
	Low tyre pressure.	Inflate the tyres to the recommended pressure.
Large vibration	Grass buildup inside the cutting deck.	Clean the cutting deck.
	The cutting cylinder is bent or unbalanced.	Replace or balance the cutting cylinder.
	The cylinder securing bolts are loose.	Tighten the cylinder securing bolts.
The working load of the cylinder group is large	Operating speed is too fast.	Reduce the operating speed.
	Grass buildup and tangling around the deck shaft.	Clean the cutting deck.
The cylinder is serrated and gray-brown	The cutting cylinder is blunt.	Sharpen the cutting cylinder.
	The cutting cylinder is worn.	Replace with a new cutting cylinder.
	The cutting deck is not level.	Level the cutting deck.
Error message displayed on the	Error message is displayed.	Perform maintenance according to the displayed error message.

car computer		
The lawn mower cannot start	The power switch indicator light is off.	Check that the power switch is turned on and the indicator light is illuminated.
	Battery cables are disconnected.	Ensure the battery cables are firmly connected.
	The circuit breaker has tripped.	Check and reset the circuit breaker.

10.2 Battery failure and handling

When handling batteries, please read the battery precautions carefully.

Failure	Fault condition	Troubleshooting or solution
The lawn mower cannot start	The battery is discharged.	Fully charge the battery.
	Poor connection at the battery terminals.	Clean the terminals, then retighten the bolts and nuts.
	The battery has reached the end of its service life.	Replace the battery.
	Faulty wiring harness or switches.	Contact your authorised dealer for repair.
Cannot charge	The battery has reached the end of its service life.	Replace the battery.
The terminal is severely corroded and overheated	Loose battery terminals.	Clean the terminals, then retighten the bolts and nuts.

Battery fluid suddenly decreases	Cracks or pinholes in the battery casing.	Replace the battery.
	The charging voltage is too high.	Check the charging station (charger).

10.3 Troubleshooting of mowing motor and mowing motor controller



Before you begin these steps, make sure your DMM can measure resistance up to 1.20 million ohms (Q).

Before performing any maintenance or repair, be sure to disconnect the battery cable. After disconnecting the battery cable, wait for 5 minutes before operating the machine.

1. Remove any accumulated debris from all cutting deck components.
 - Verify that all power connections on the cutting motor and the cutting motor controller are securely tightened, and check if the cutting deck operates correctly. If no loose connections are found, proceed to the following steps.
2. Apply labels to the connection points on the cutting motor controller so they are easily visible for correct reconnection.
3. To ensure correct reconnection, mark all wiring with the appropriate connection point label in step 2.
4. Remove all wire connections from the mowing motor controller.
 - Measure the resistance (Q) of the mowing motor controller
 - a. First, adjust the multimeter to the short-circuit test mode.
 - b. Place the positive electrode of the digital multimeter on the positive terminal of the mowing motor controller; place the negative electrode of the digital multimeter on the negative terminal of the mowing motor controller.
 - c. At this time, if the multimeter beeps, the controller is damaged and needs to be replaced.
5. If no problem is found, please re-tighten the wiring of the mowing motor controller and the motor.
6. Measure the resistance (Q) of the mowing motor.
 - a. First, adjust the gear of the multimeter to the resistance gear.
 - b. Place the positive electrode of the multimeter on the motor terminal U and the negative electrode on the motor terminal V, and observe the resistance reading.

- c. Place the positive electrode of the multimeter on the motor terminal U and the negative electrode on the motor terminal W, and observe the resistance reading.
- d. Place the positive electrode of the multimeter on the motor terminal V and the negative electrode on the motor terminal W, and observe the resistance reading.
- e. If the resistance of the above three tests is greater than 5 ohms, the mowing motor needs to be replaced.
- f. Place the negative (-) dial of the digital multimeter on pin 2 and the positive (+) dial on pin 3 to measure the resistance in the six-pin motor connector. The resistance reading should be between 800k (Q) and 1.2m (Q) ohms. The resistance between pin 2 and pins 1, 4, 5, and 6 should be 0 ohms. If the resistance is higher or lower than these ranges, the mowing motor needs to be replaced.
- g. If steps 1 through 9 have been completed and the problem persists, refer to the wiring harness troubleshooting process below.

10.4 Troubleshooting of lawn mower harness

The lawn mower cannot start	Poor contact of wiring harness terminals below power switch	The connector needs to be re-inserted into the switch when it is loose, and the switch harness pin needs to be repaired by a dealer when it is loose
	The plug-in on the wiring harness to the battery is loose	Check and plug in the plugin
Motor not working	Power harness or communication harness issues for each motor	Check whether the power harness and communication harness are on and off, and whether the plug-in is loose. If necessary, entrust the dealer for repair
Switching device not working	The plug-in on the wiring harness to the battery is loose	Check the problem switch according to the interface display, and then check whether the switch plug-in is abnormal. If so, you need to entrust the dealer to repair it

11. Waste disposal

This product contains metal materials and electronic components. Waste disposal should be based on environmental protection principles, comply with local laws and regulations, and hand over the waste materials (including packaging materials, metal parts, electronic components, etc.) to local manufacturers with recycling qualifications for processing.

12. Storage

The correct storage method is crucial for maintaining the performance and extending the service life of lawn mowers. The following are a few points to note when storing lawn mowers:

- 1. Drying and ventilation:** The lawn mower should be stored in a dry environment to prevent the machine from getting damp and affecting the normal operation of its electrical system and mechanical components. At the same time, good ventilation conditions can prevent the internal parts of the machine from getting damp or corroded due to long-term closure.
- 2. Avoid direct sunlight and rain:** Direct sunlight and rain may cause the shell of the lawn mower to fade and deform, rapid aging of the painted pipeline, and even affect the performance of its internal electronic and mechanical components. Therefore, a place should be chosen to avoid direct exposure to sunlight and rain to store the lawn mower.
- 3. Non-corrosive gas environment:** The environment where lawn mowers are stored should avoid the presence of corrosive gases, as these gases may corrode the metal parts of the lawn mower and affect its service life.
- 4. Regular inspection and maintenance:** Even if stored in the correct environment, it is recommended to regularly inspect and maintain the lawn mower to ensure that it is in the best condition. This includes checking for wear and tear on mechanical components, leaks in pipeline joints, and timely maintenance and replacement.

© 2026 Fjdynamics. All Rights Reserved