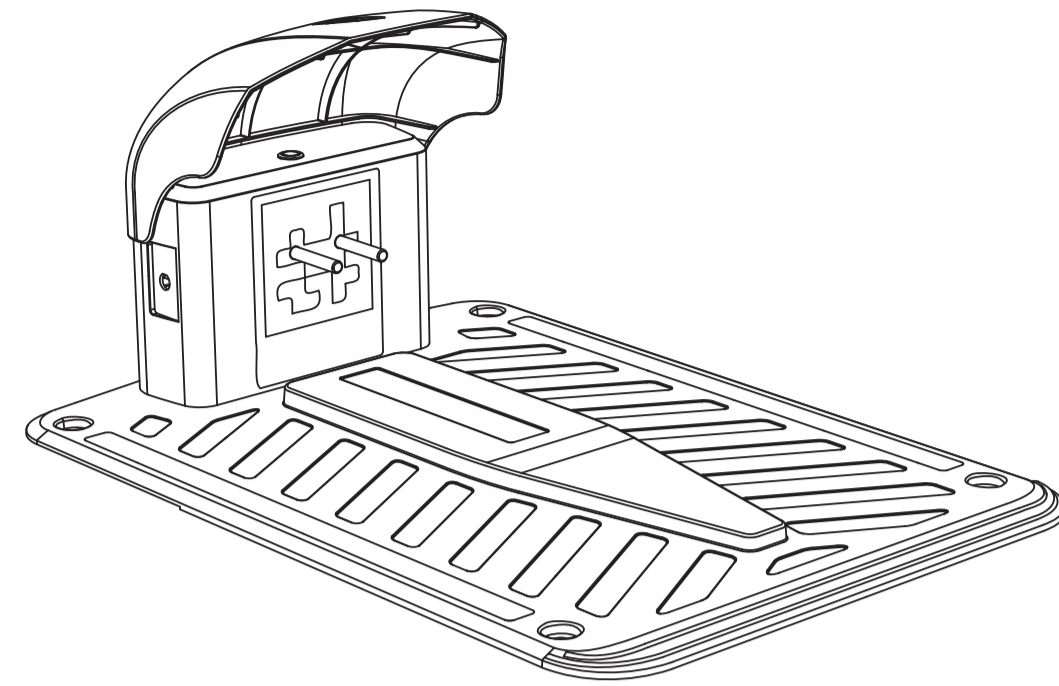


Charging Station

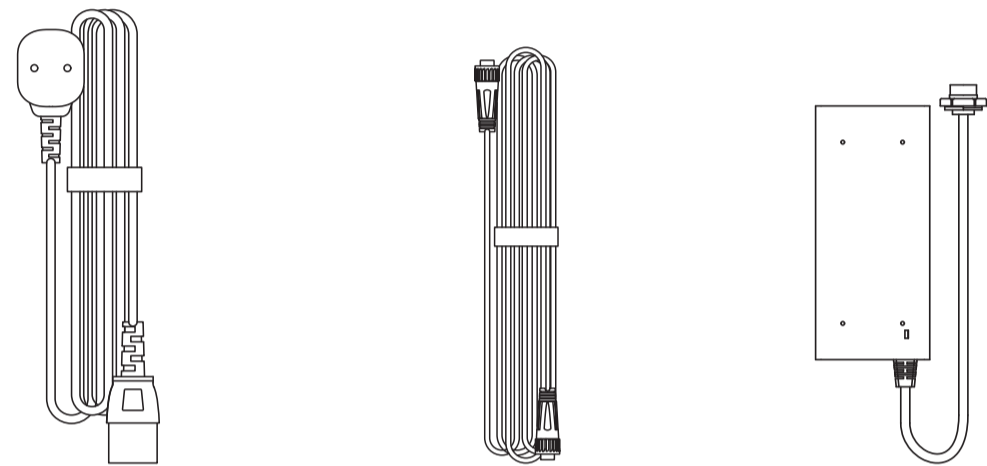


FJDynamics

Quick Start Guide

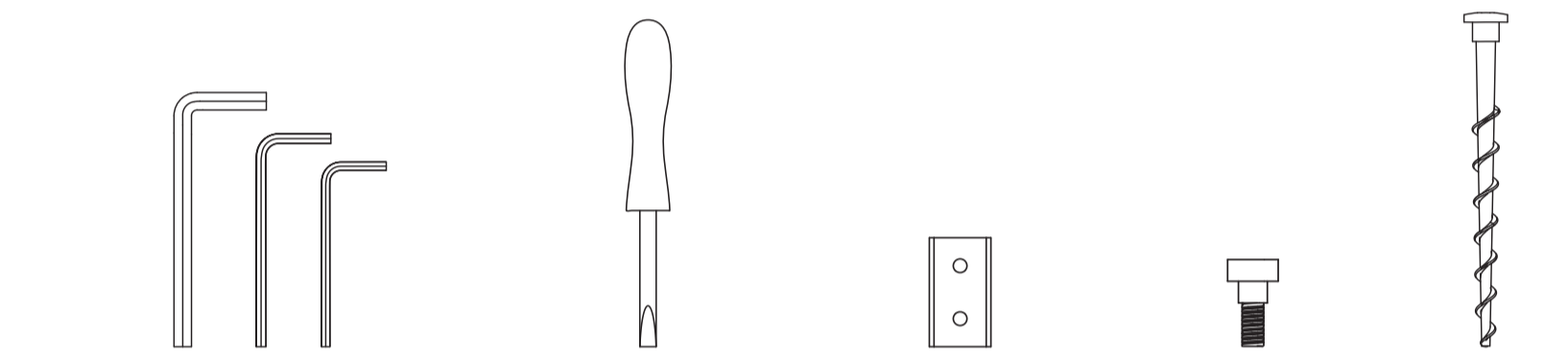
FV2000

Charging Station Kit



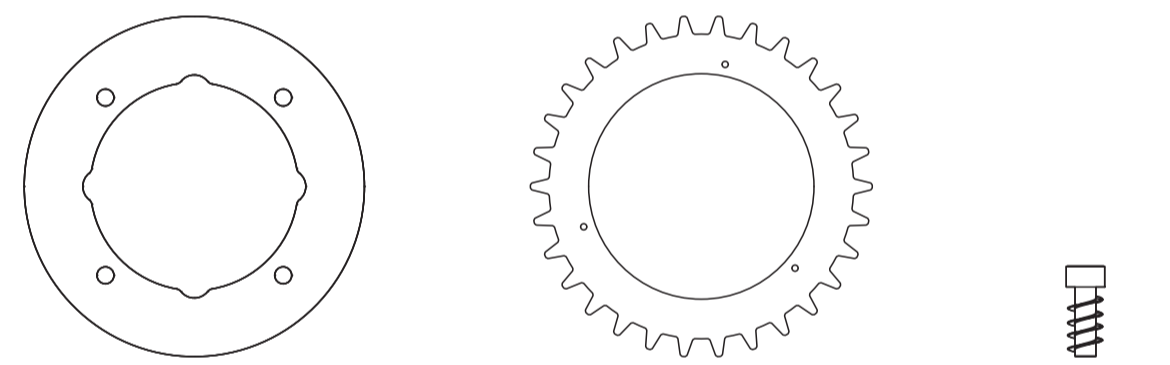
Power Supply Cable Extension Cable Power Adapter

Universal Tool Kit



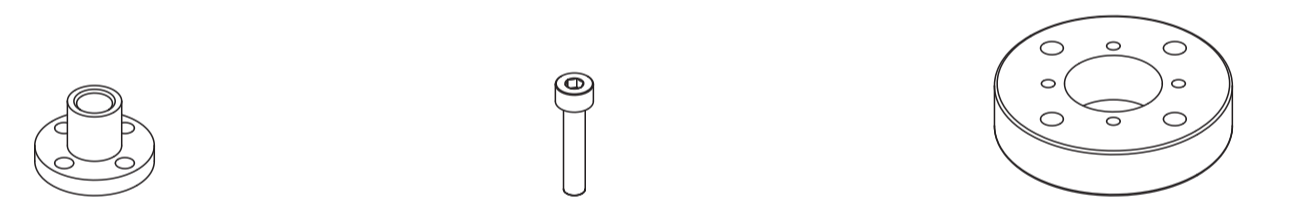
Hex Wrench (Large/Medium/Small) Screwdriver Spare Blade*6 Skid Plate Screw*6 Plastic Screw*4

Mower Accessory Kit



Lawn Mower Engine Sealed Grommet Ground Gripper*2 M4x10 Screw*6

Blade Disc Assembly Parts

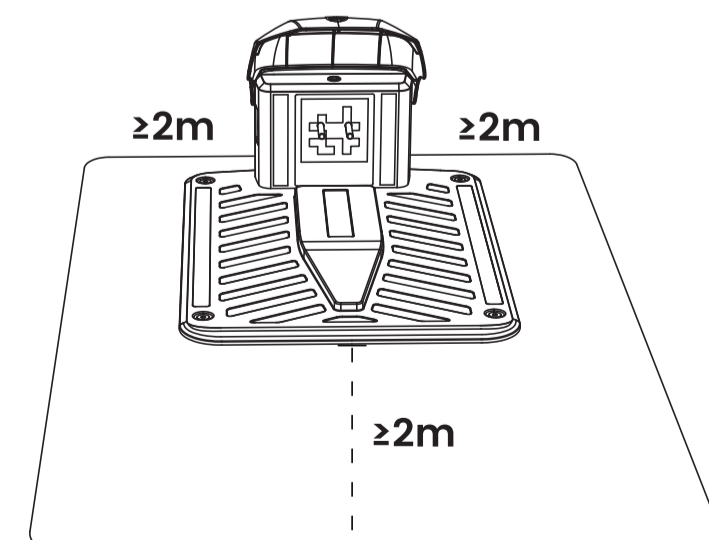


T8 Lead Screw Nut Mount*2 Blade Disc Adapter Bolts*4 Blade Disc Adapter

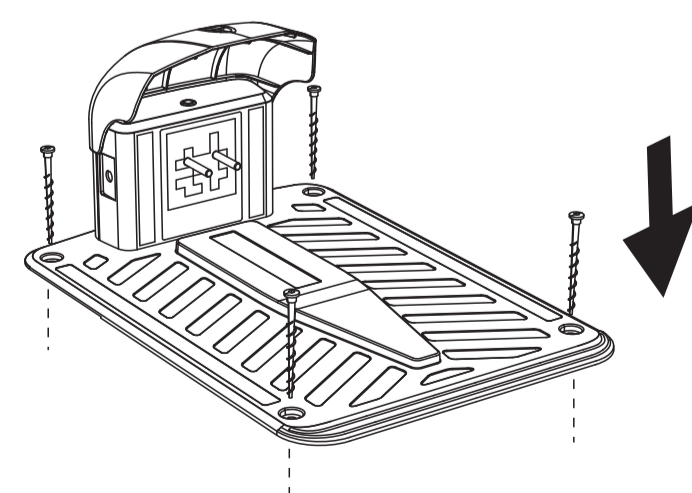
To install the charging station

1. Choose a flat, level area to place the charging station.

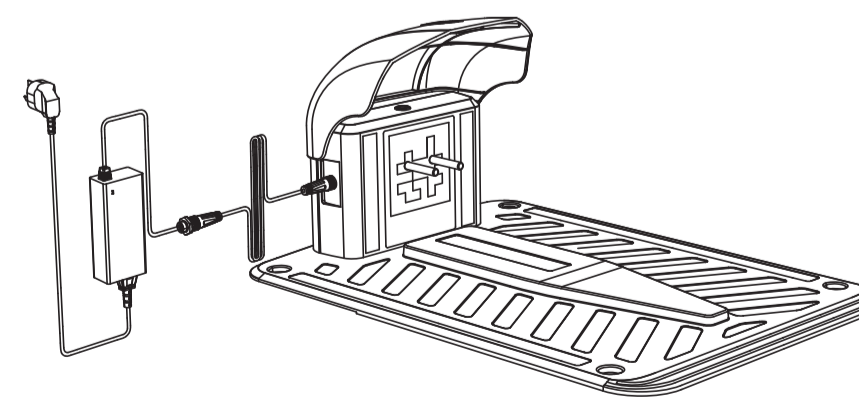
- Leave a free level area with a radius of at least 2m in front of the charging station free of hills, inclines, depressions, holes or obstacles.
- Make sure the grass under the charging station plate is not taller than 5cm (about 2 inches).



2. Fix the charging station and garage to the ground with screws.



3. Connect the power adapter, 10m extension cable, and power supply cable, and plug into a power outlet.



⚠ This guide is only for reference. The actual products and features may vary.



Learn More



FJD Landscaping

Connect App & Pair the Mower

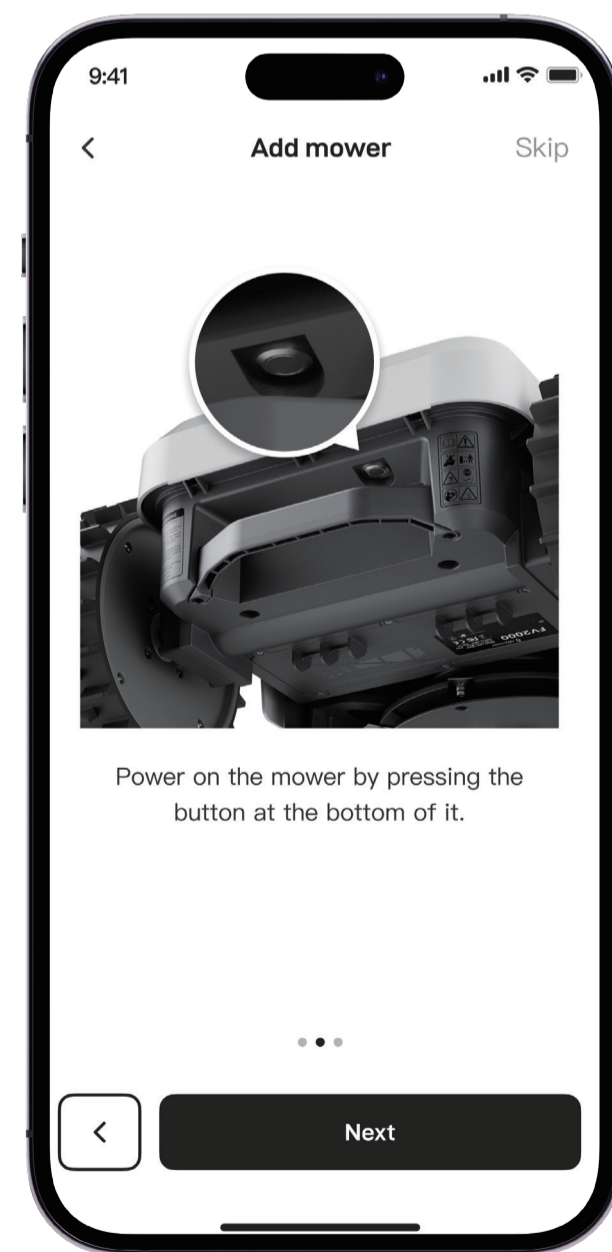
1. Download the FJD Landscaping app.



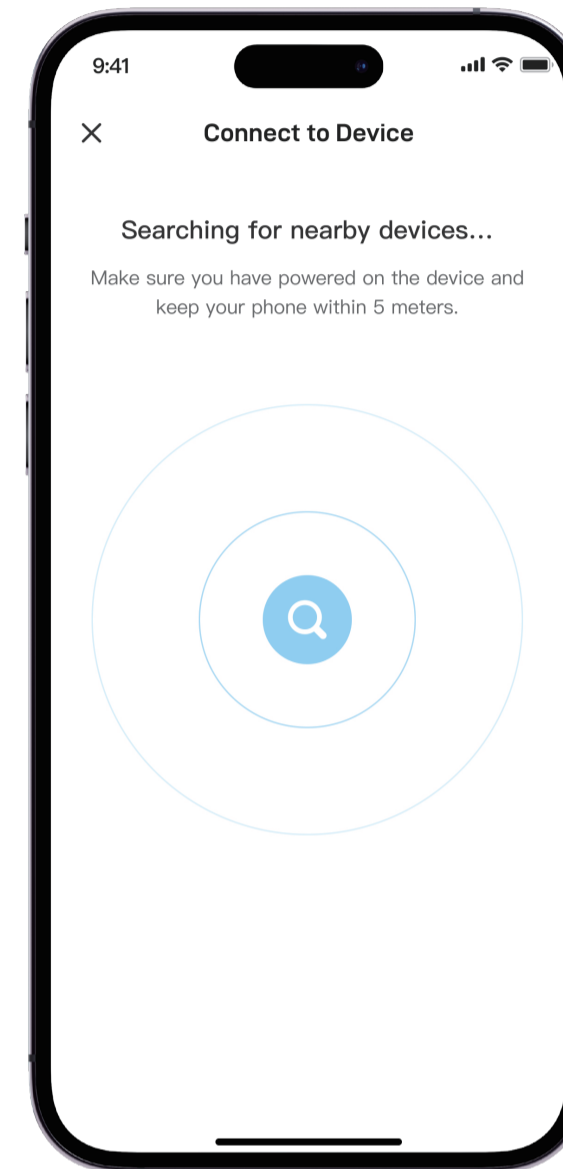
Download The APP



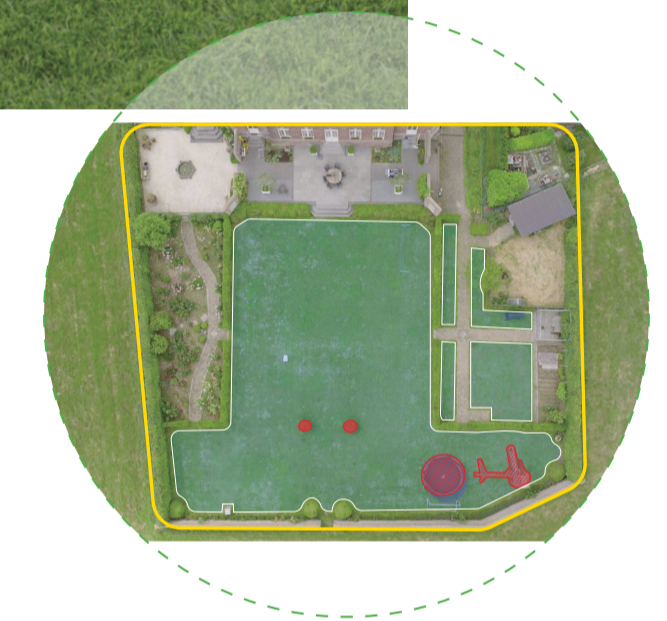
2. Power on the mower by pressing the button at the bottom of it.



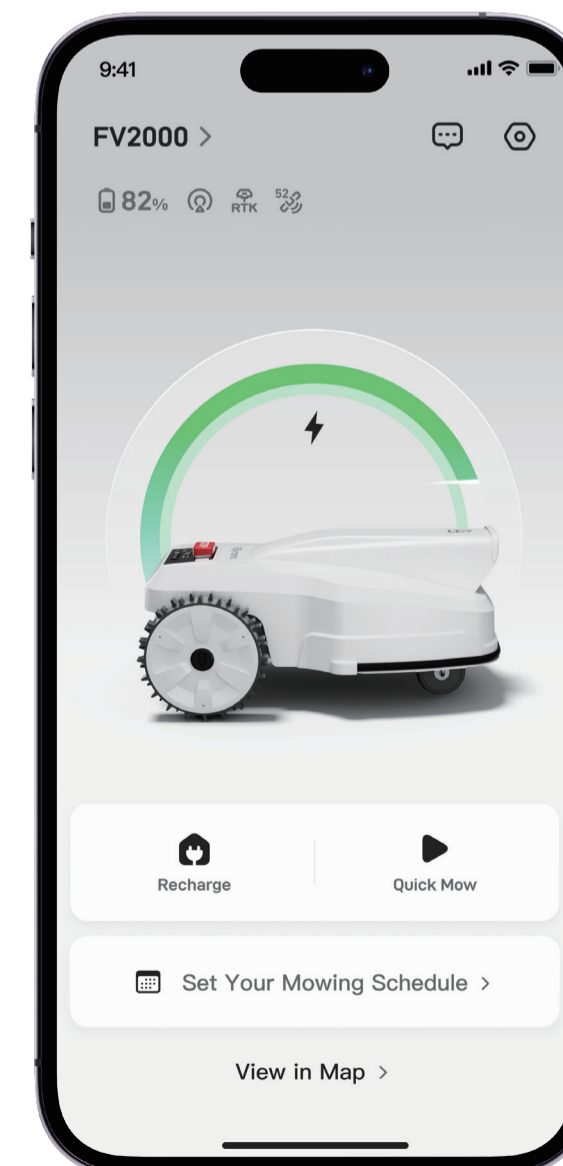
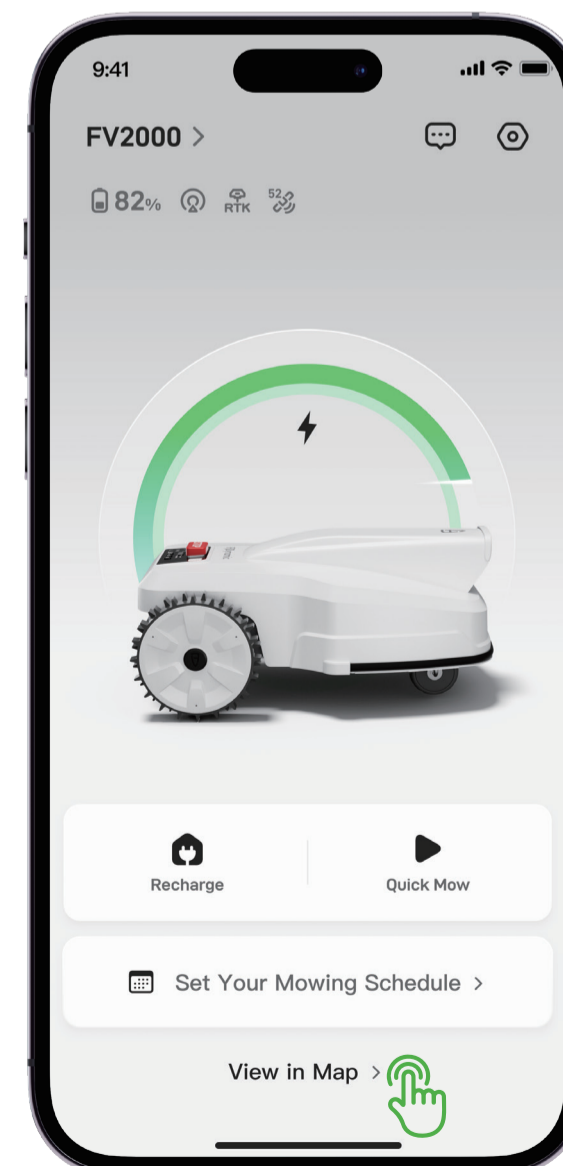
3. Turn on the app and follow the instructions to pair the mower with your phone.



5. Use the virtual joysticks on your phone to drive the mower along the boundaries of the work zones and no-go zones.



4. Go to "View in Maps" and start mapping your lawn.



6. Start a quick mow mission or schedule a future mission.

